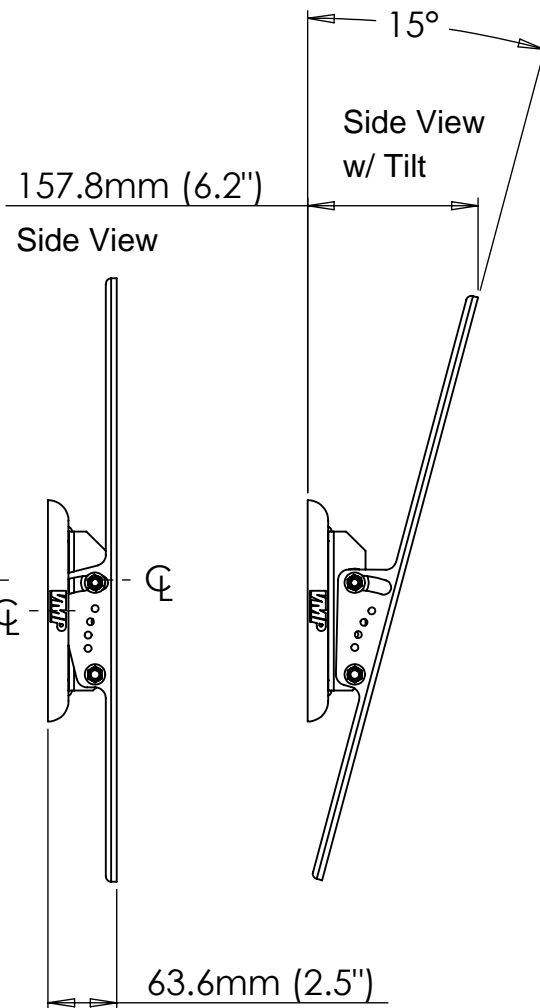
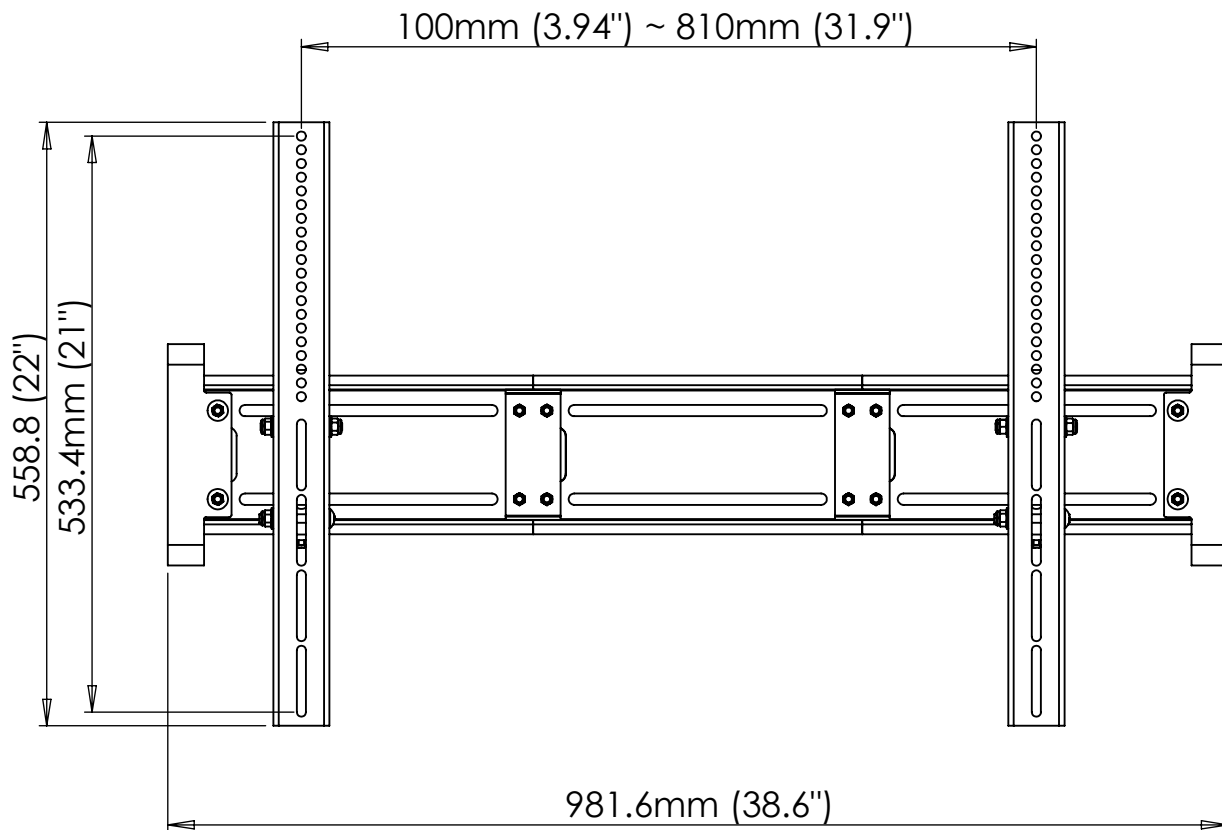


Top View



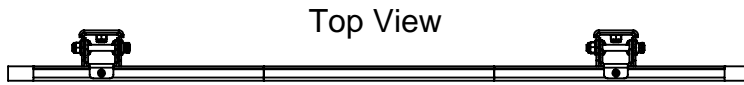
Front View



Information and designs contained in this drawing are the proprietary property of Video Mount Products (VMP). None of the design or any information contained in this drawing may be reproduced or disclosed to others without prior written consent of Video Mount Products (VMP).

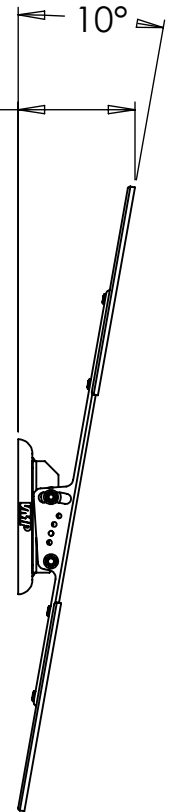
Title: FP-LDSB w/ out extensions

SIZE	DWG. NO.	REV
<b>A</b>		
SCALE: 1:7	Unit: mm	SHEET 1 OF 3



Top View

Side View  
w/ Tilt



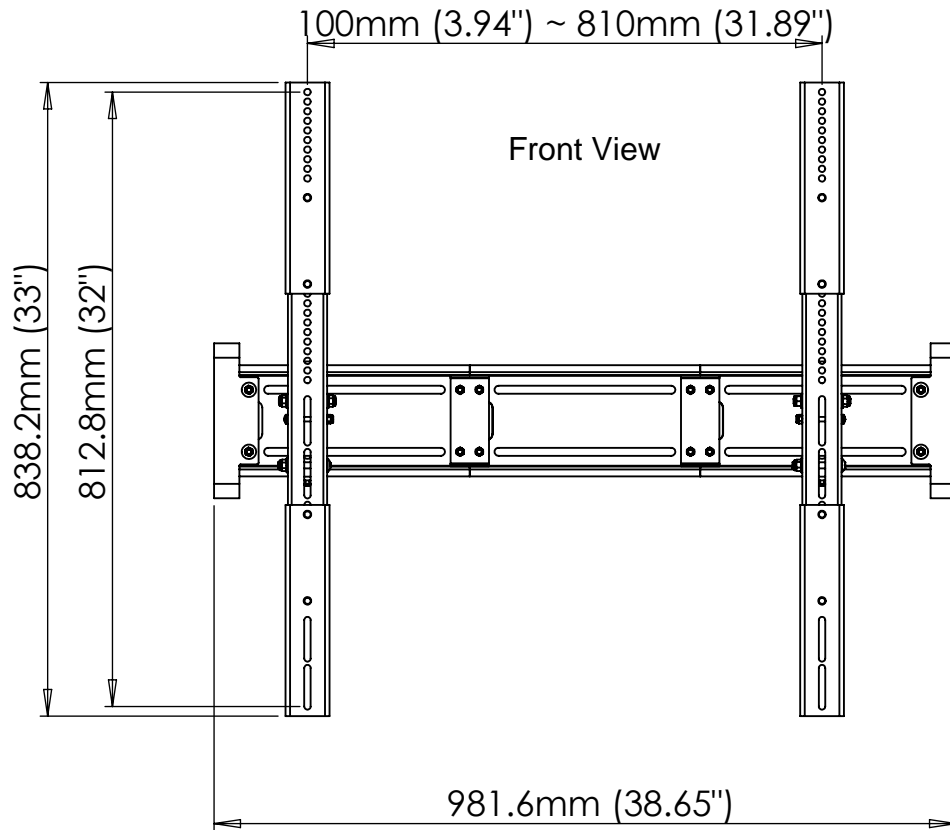
154.5mm (6.08")

10°

Side View

28.5mm (1.12")

66.6 (2.62")



Front View

100mm (3.94") ~ 810mm (31.89")

838.2mm (33")

812.8mm (32")

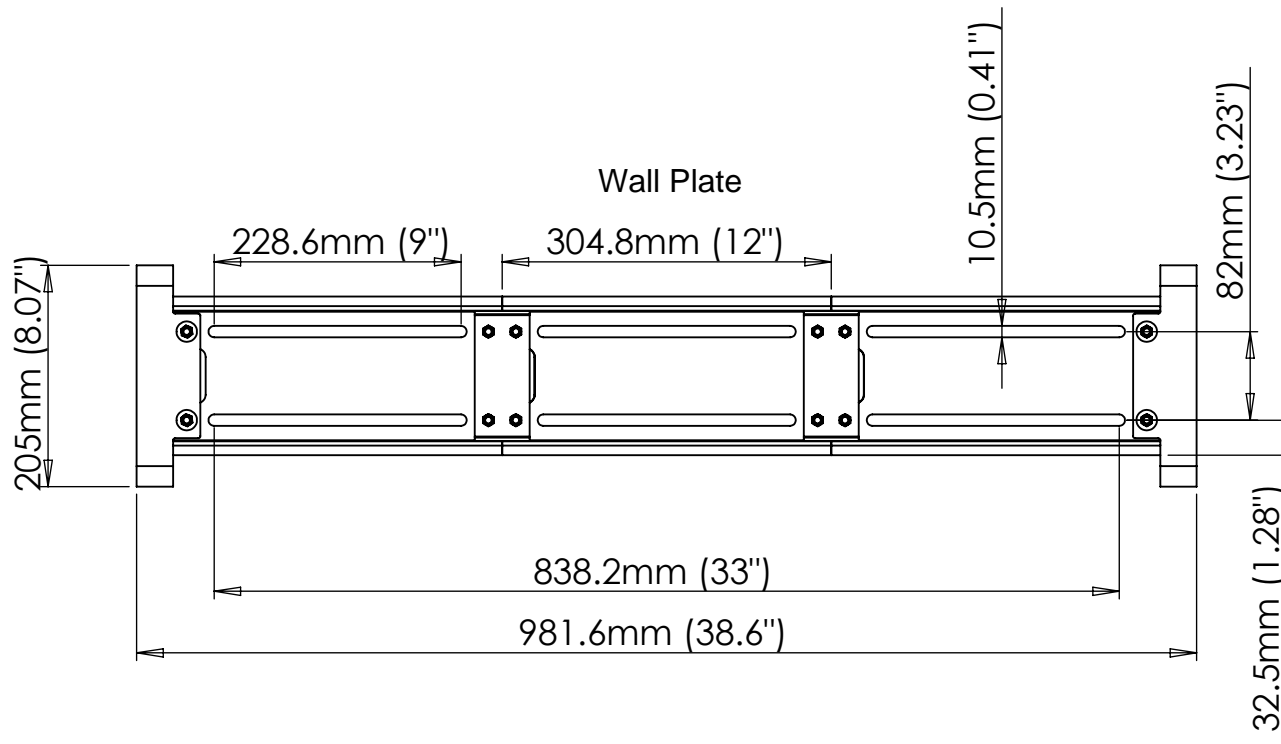
981.6mm (38.65")



Information and designs contained in this drawing are the proprietary property of Video Mount Products (VMP). None of the design or any information contained in this drawing may be reproduced or disclosed to others without prior written consent of Video Mount Products (VMP).

Title:  
FP-LDSB w/ extensions

SIZE	DWG. NO.	REV
<b>A</b>		
SCALE: 1:10	Unit: mm	SHEET 2 OF 3



Information and designs contained in this drawing are the proprietary property of Video Mount Products (VMP). None of the design or any information contained in this drawing may be reproduced or disclosed to others without prior written consent of Video Mount Products (VMP).

Title:  
**FP-LDSB Wall Plate**

SIZE	DWG. NO.	REV
<b>A</b>		
SCALE: 1:7	Unit: mm	SHEET 3 OF 3