

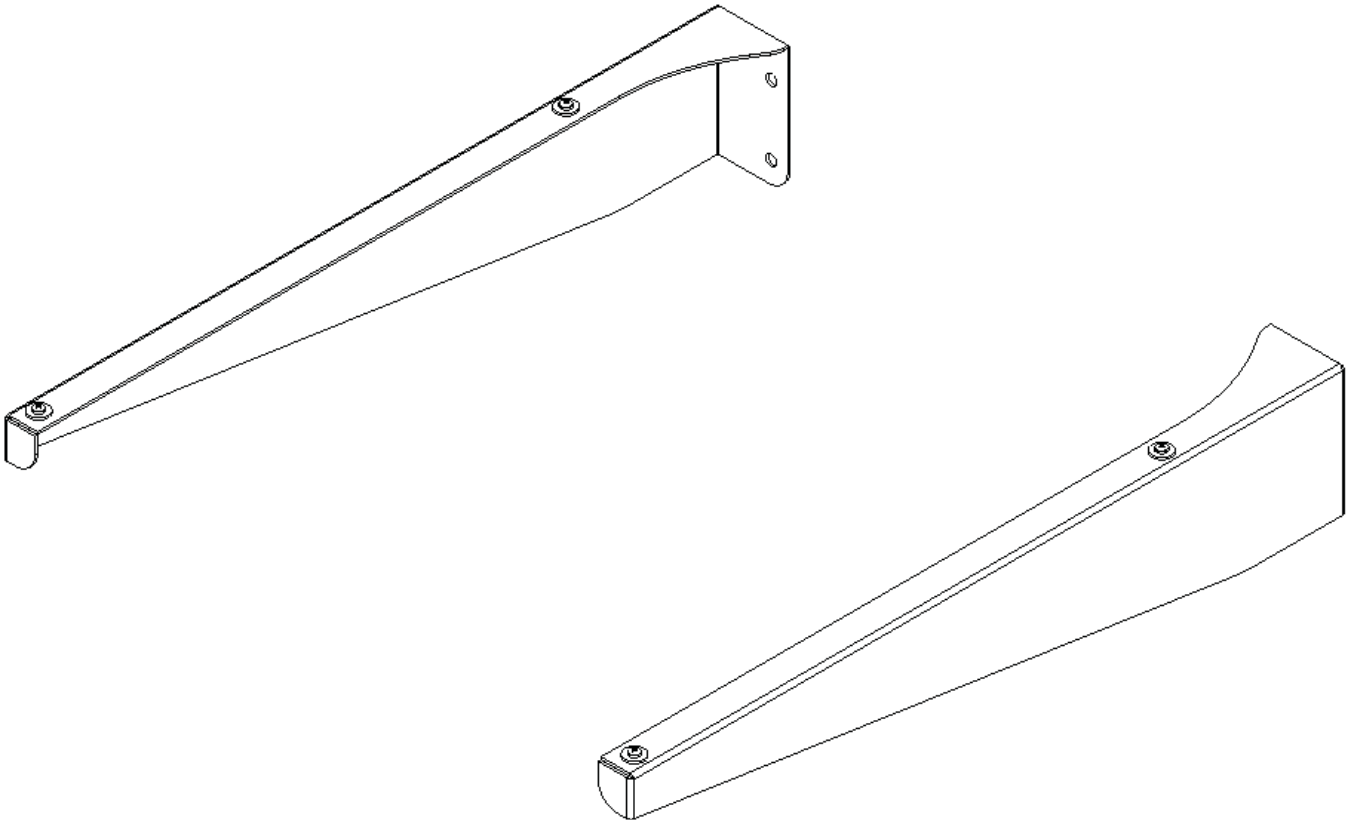
# **WMP**

VIDEO MOUNT PRODUCTS

*Instruction Sheet For:*

## **DVR-WA**

---

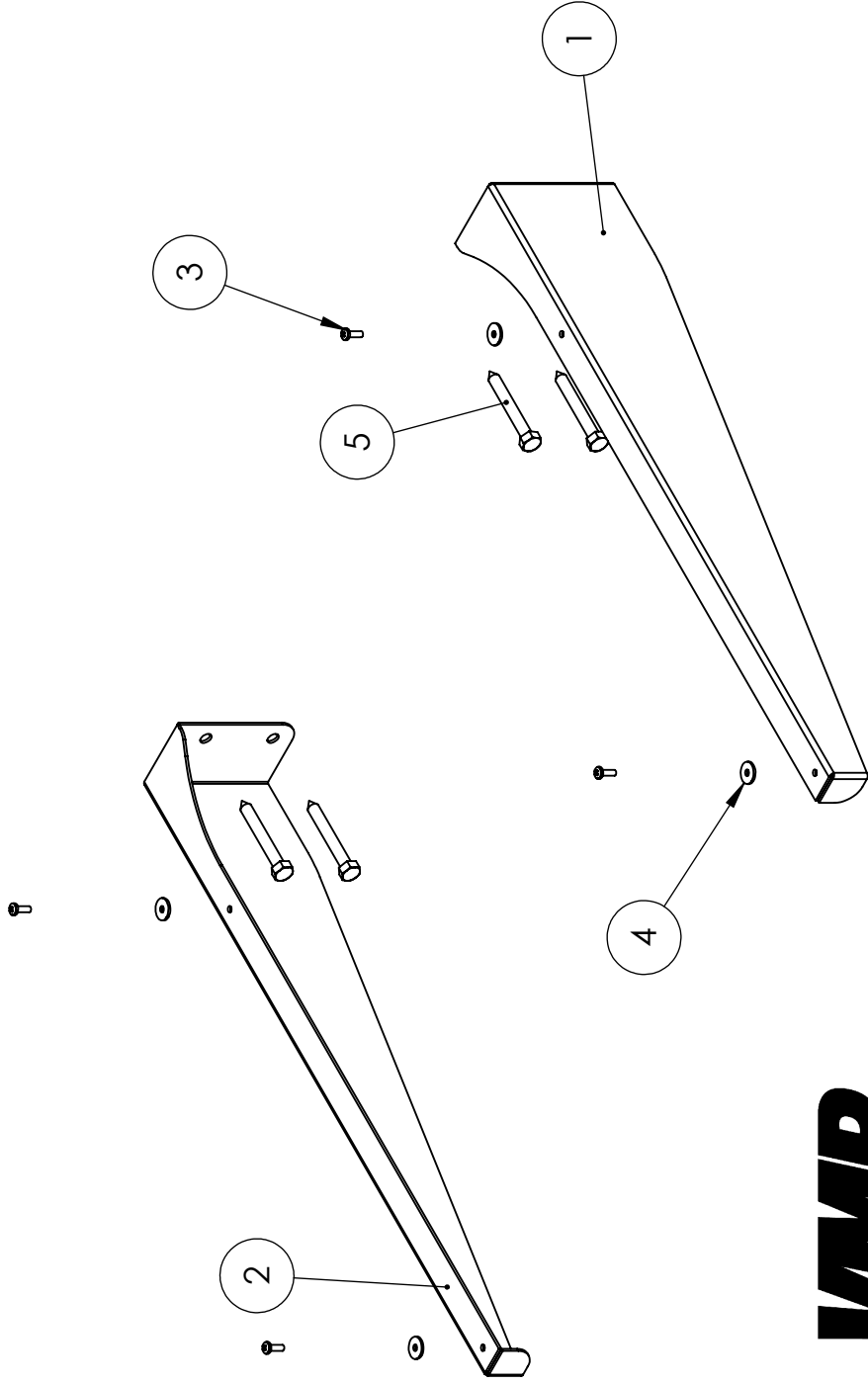


---

*For more information, please contact us at:*  
345 Log Canoe Circle, Stevensville, Maryland 21666  
Toll Free: 877.281.2169 Phone: 410.643.6390 Fax: 410.643.6615  
[www.videomount.com](http://www.videomount.com)

# DVR-WA

ITEM NO.	DESCRIPTION	QTY.
1	Right Arm	1
2	Left Arm	1
3	Cross Screw M4*P0.7*L12	4
4	Metal Washer	4
5	Lag Screw 5/16"*2.5"	4

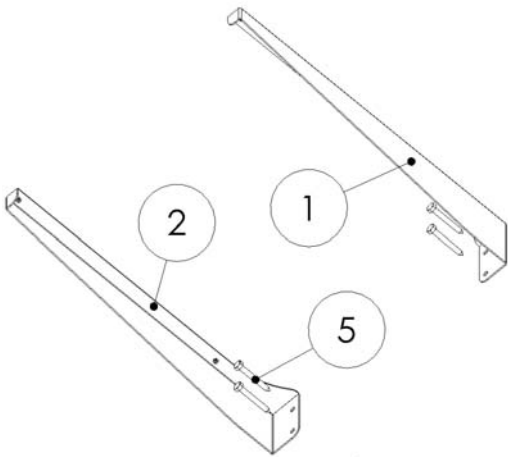


### Step 1

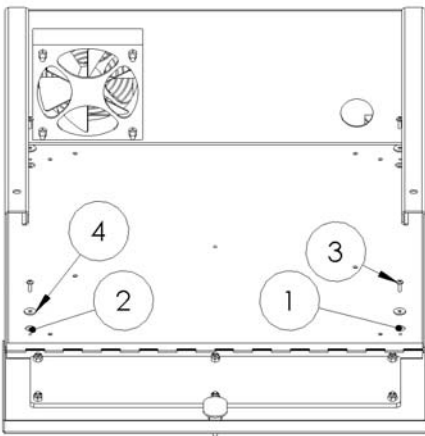
Before starting, lay out all parts to your mount and match them to the parts list provided. Verify that you have all your parts before attempting to assemble the mount.

### Step 2

The DVR-WA is designed to have a mounting hole pattern that is centered on 16". Take the left arm (1) and mark the mounting surface with the mounting hole locations. Using the mounting hole you already have drawn mark the next set level with the first 16" to the left or the right of the first set of holes. If mounting to wooden studs, pre drill pilot holes using a 7/32" drill bit. Mount the left arm (1) to the right most set of holes using the hex lag screws (5) and mount the right arm (2) to the left most set of holes also using the hex lag screws (5). **WARNING: Please verify that your mounting surface will support the combined weight of your mount, mounting hardware, and DVR. Also verify that the mounting surface is safe to drill through. Please note only mounting hardware for mounting to wooden studs will be provided with the unit. If mounting to a surface other than wooden studs then other hardware will be required. If in doubt or uncertain about any of the above, please contact a professional installer.**



Step 2: Attaching the left and right arms to the mounting surface



Step 3: Place the DVR-LB1 or DVR-LB2 on arms

### Step 3

Place the DVR-LB1 or DVR-LB2 onto the left (1) and right (2) arms. Match the largest holes in the bottom of the lockbox starting with the rear to the threaded holes in the left (1) and right (2) arms. Use the screws (3) and washers (4) to attach the rear most holes on the lockboxes to the rear most holes on both arms. Then attach the front most holes on the lockboxes to the front most holes on both arms again using the screws (3) and washers (4). **Note: You may have to pull the arms into alignment with the holes.**

*Please verify that all nuts and screws are securely tightened.*



*Enjoy Your Mount!*

**WARNING: The installer of these products must verify that the mount surface, ceiling or wall, will safely support the combined weight of all attached equipment and hardware. Video Mount Products will not be held liable for the improper use or installation of its products.**