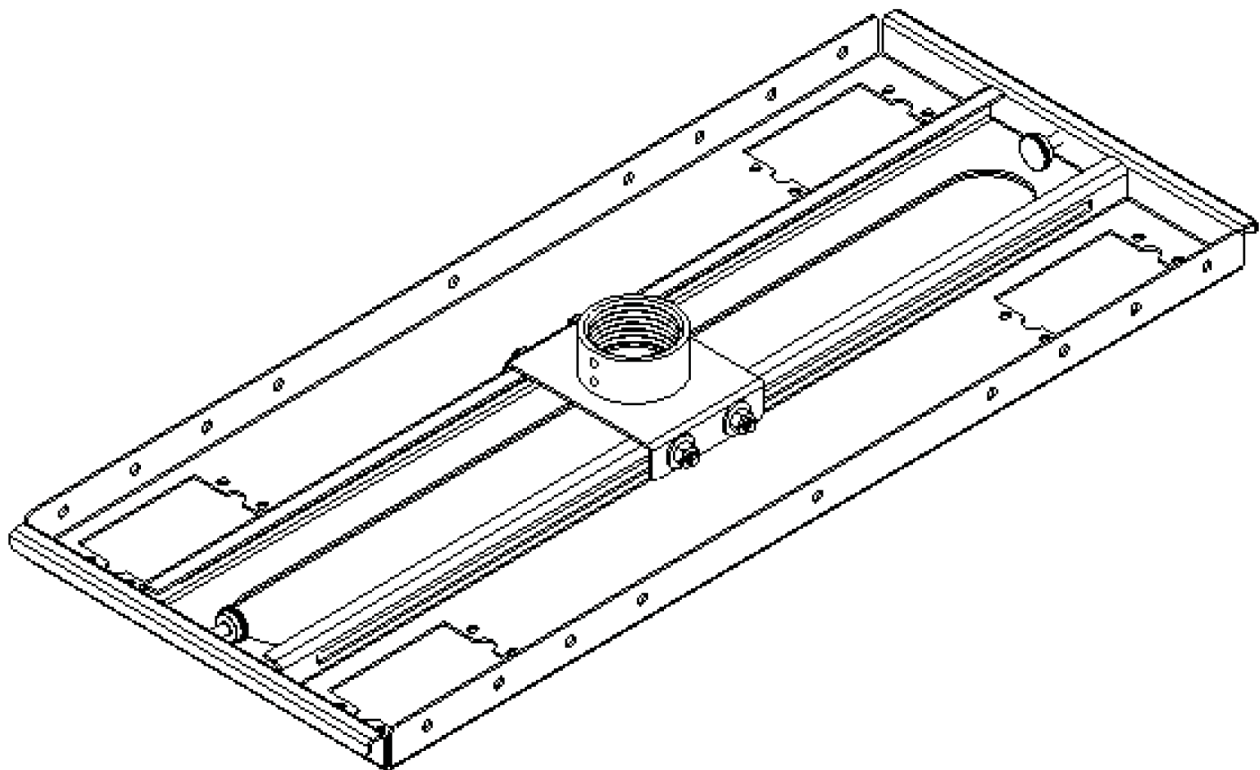


WMP

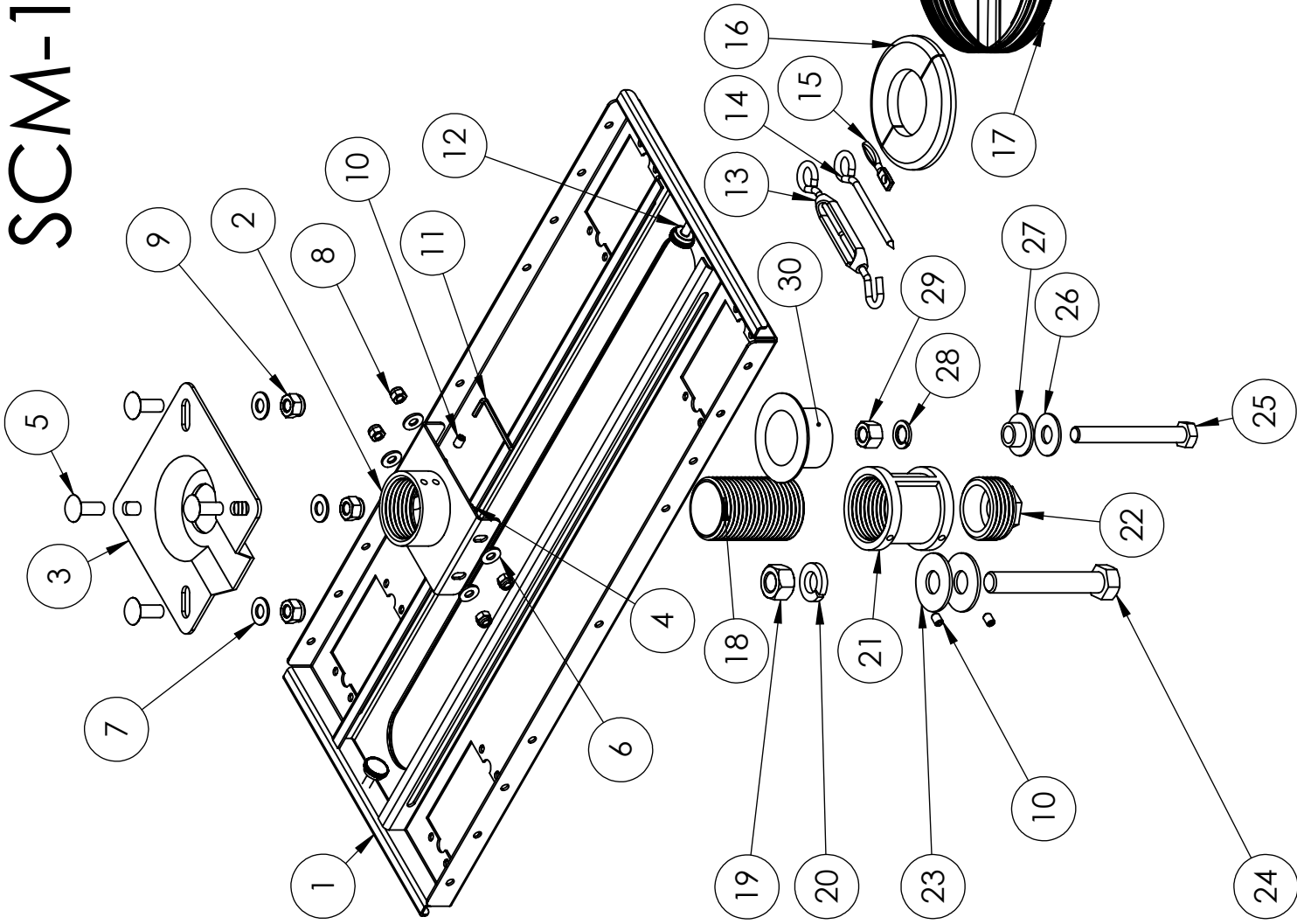
VIDEO MOUNT PRODUCTS

Instruction Sheet For:
SCM-1

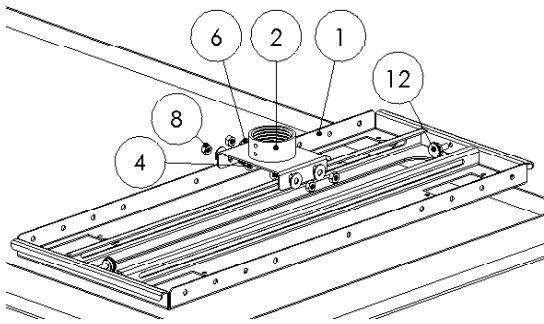


For more information, please contact us at:
345 Log Canoe Circle, Stevensville, Maryland 21666
Toll Free: 877.281.2169 Phone: 410.643.6390 Fax: 410.643.6615
www.videomount.com

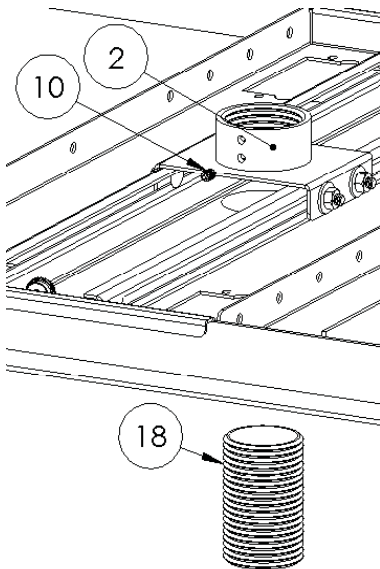
SCM-1



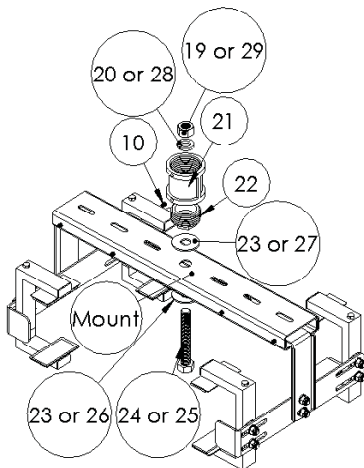
ITEM NO.	DESCRIPTION	QTY.
1	Ceiling Plate	1
2	Carriage	1
3	Adaptor Plate	1
4	Screw 1/4" - 20UNC*L 5/8"	4
5	Screw 3/8" - 16UNC*L1"	4
6	Washer ϕ 1/4" * ϕ 16 * T1.7	4
7	Washer ϕ 3/8" * ϕ 21 * T1.7	4
8	Hex Nut 1/4" - 20UNC	4
9	Hex Nut 3/8" - 16UNC	4
10	Brake Screw 1/4" - 20UNC*L3/8"	3
11	Allen Key	1
12	Adjustable Screw 1/4" - 20UNC*L5/8"	2
13	Turnbuckle	4
14	Eye Bolt	5
15	Concrete Anchor	5
16	Escutcheon Ring	1
17	20' of 12 gauge annealed steel tie wire	1
18	Screw 1-7/8" - 12UNC*L75	1
19	Nut 5/8" - 11UNC	1
20	Spring Washer ϕ 26.7 * ϕ 16.7	1
21	Nut 1-7/8" - 12UNC	1
22	Screw 1-7/8" - 12UNC	1
23	Washer ϕ 44.5 * ϕ 17.5 * T2.5	2
24	Screw 5/8" - 11UNC*L102	1
25	Screw M12*P1.75*L100	1
26	Washer ϕ 1/2 * 32 * T2.0	1
27	Plastic Washer	1
28	Spring Washer M12	1
29	Nut M12*P1.75	1
30	Escutcheon Ring Adaptor	1



Step 2: Attaching the carriage to the ceiling plate



Step 3: Attaching the near flush pipe or 1.5" NPT pipe to the carriage



Step 4: Attaching the female pipe couple to the mount

Step 1

Before starting, lay out all parts to your mount and match them to the parts list provided. Verify that you have all your parts before attempting to assemble the mount.

Step 2

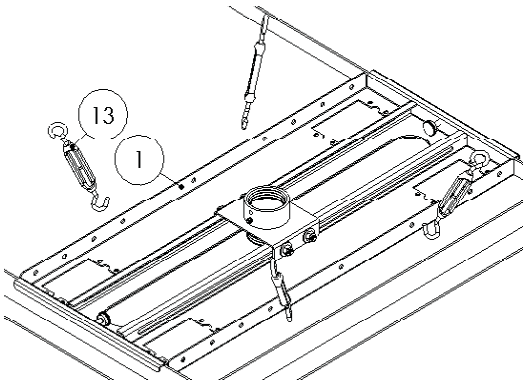
Lay the ceiling plate (1) onto the ceiling grid so the lips of the ceiling plate rest on top of the ceiling runners. Tighten adjustable screws (12) to hold the plate in place. Slide the carriage (2) into the desired position and use the 1/4" - 20UNC screws (4), washers (6), and nuts (8) to secure the carriage (2) in place.

Step 3

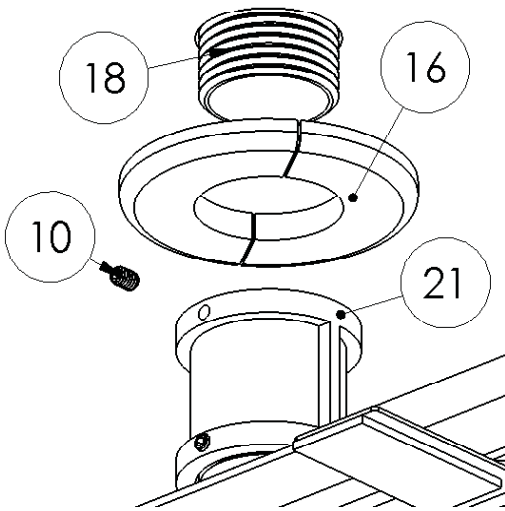
The next steps are for those who are going to use either the near flush pipe (18) or 1.5" NPT pipe for installation of the mount. Those who wish to use the mast provided with the mount proceed to step 7. Mark and cut a 2.25" hole where you desire the near flush pipe (18) or 1.5" NPT pipe to come down. Insert the near flush pipe or 1.5" NPT pipe through the ceiling tile and into the carriage (2). Use a brake screw (10) in the bottom threaded hole of the carriage to secure the near flush pipe or 1.5" NPT pipe.

Step 4

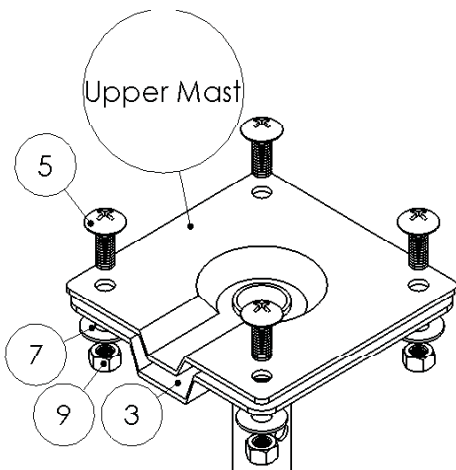
Attach the desired mount to the female pipe couple (21), (22), and (10). For the LCD-2537C, PM-1, PM-2, PM-3, or PM-3B this is done with parts (19), (20), (23), and (24). *Note: The mount shown in the instructions is the PM-1. For the LCD-1C, LCD-1C w/ LCD-CM2, VMP-042/044, or VMP046/048 this is done with parts (25) to (29).* *Note: The plastic washer (27) goes on top of the desired mount as well as inside the bottom of the female pipe couple (22).*



Step 5: Supporting the ceiling plate with tie wire



Step 6: Attaching the female pipe couple to the near flush pipe or 1.5" NPT pipe



Step 7: Attaching the upper mast to the adaptor plate

Step 5

Insert the turnbuckles (13) into the ceiling plate (1). Make sure to use the sets of four holes in each corner of the ceiling plate and not the center hole on each side. If necessary use the wood screw eyebolt (14) or concrete anchor (15) to provide tie wire anchor points. To use the tie wire cut the provided wire (17) into four equal pieces. Then insert one piece through each turnbuckle and twist the wire at least four times itself. Attach the other end of each piece of wire to the eyebolts, concrete anchors, or ceiling truss again making sure the wire is twisted around itself at least four times. **Note: If the distance between the ceiling grid and wherever you're attaching the tie wires is longer than 3 feet then you will require more tie wire (12 gauge steel tie wire).**

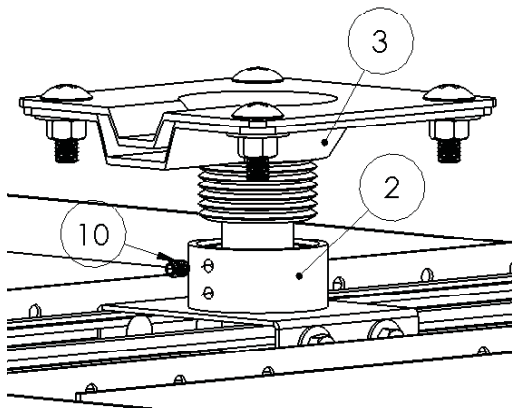
Step 6

Attach the escutcheon ring (16) to the near flush pipe (18) or 1.5" NPT pipe. Attach the female pipe couple (21, 22), and (10) to the near flush pipe or 1.5" NPT pipe. Use the 1/4" - 20UNC brake screw (10) to secure the top of the couple (21) from turning on the near flush pipe or 1.5" NPT pipe.

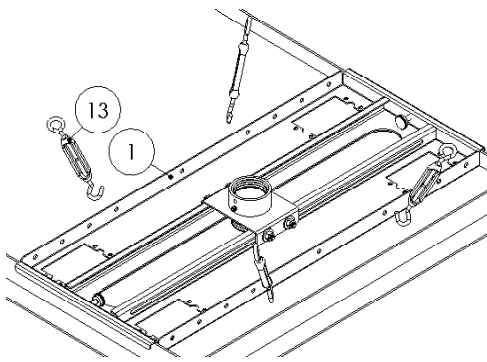
Please verify that all nuts and screws are tight.

Step 7

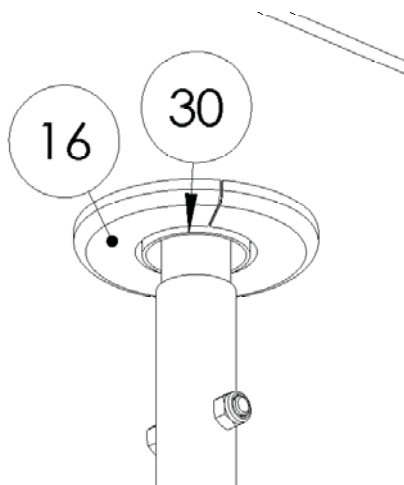
Attach the top of the ceiling mast (usually called the ceiling plate in the instructions) to the adaptor plate (3). For the masts with a cable channel make sure to nest the cable channel in the depression cut out in the adaptor plate. Secure the two together with 3/8" - 16UNC screw (5), washers (7), and hex nuts (9).



Step 8: Attach the adaptor plate to the carriage



Step 9: Supporting the ceiling plate with tie wire



Step 10: Attaching the lower half of the mount to the upper mast



Step 8

Place the escutcheon ring adaptor (30) on top of the ceiling tile and trace around the outside of the adaptor. Then proceed to cut just inside the circle drawn. Insert the adaptor into the hole making sure you have a tight fit, and the wider top is on top of the ceiling tile. If necessary widen the hole slightly to fit in the adaptor. Insert the top of the ceiling mast through the hole in the ceiling tile. Attach the adaptor plate (3) to the carriage (2) and use the 1/4" - 20UNC brake screw (10) to secure the adaptor plate (3) from turning.

Step 9

Insert the turnbuckles (13) into the ceiling plate (1). Make sure to use the sets of four holes in each corner of the ceiling plate and not the center hole on each side. If necessary use the wood screw eyebolt (14) or concrete anchor (15) to provide tie wire anchor points. To use the tie wire cut the provided wire (17) into four equal pieces. Then insert one piece through each turnbuckle and twist the wire at least four times itself. Attach the other end of each piece of wire to the eyebolts, concrete anchors, or ceiling truss again making sure the wire is twisted around itself at least four times. The ceiling plate should be completely supported by the tie wires. **Note: If the distance between the ceiling grid and wherever you're attaching the tie wires is longer than 3 feet then you will require more tie wire (12 gauge steel tie wire).**

Step 10

Attach the lower mast and rest of the mount to the upper mast using the appropriate through bolt and nut for that mount. Attach the escutcheon ring (16) onto the escutcheon ring adaptor (30).

Please verify that all nuts and screws are securely tightened.

Enjoy Your Mount!

WARNING: The installer of these products must verify that the mounting surface, ceiling or wall, will safely support the combined weight of all attached equipment and hardware. Video Mount Products will not be held liable for the improper use or installation of its products.