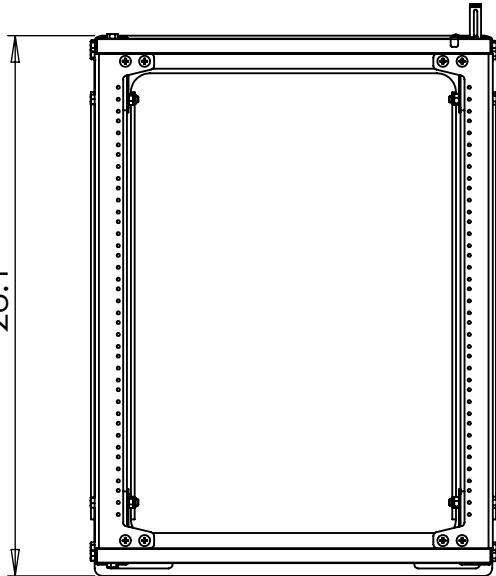
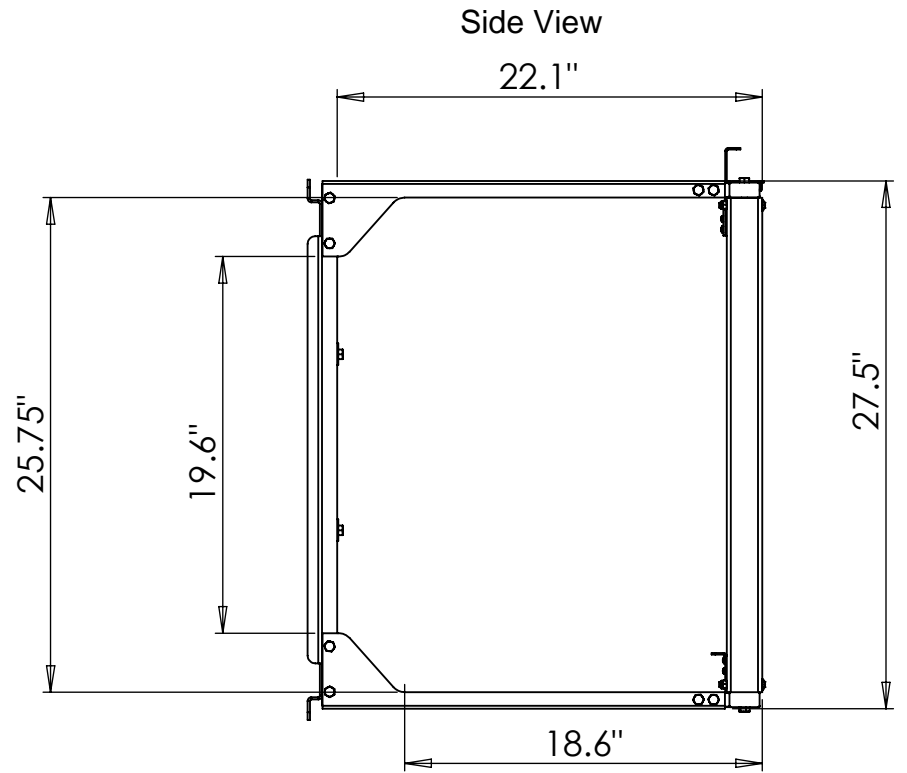


Top View



Front View



Side View

VMP
VIDEO MOUNT PRODUCTS

Information and designs contained in this drawing are the proprietary property of Video Mount Products (VMP). None of the design or any information contained in this drawing may be reproduced or disclosed to others without prior written consent of Video Mount Products (VMP).

Title:

ER-W24

SIZE

DWG. NO.

REV

A

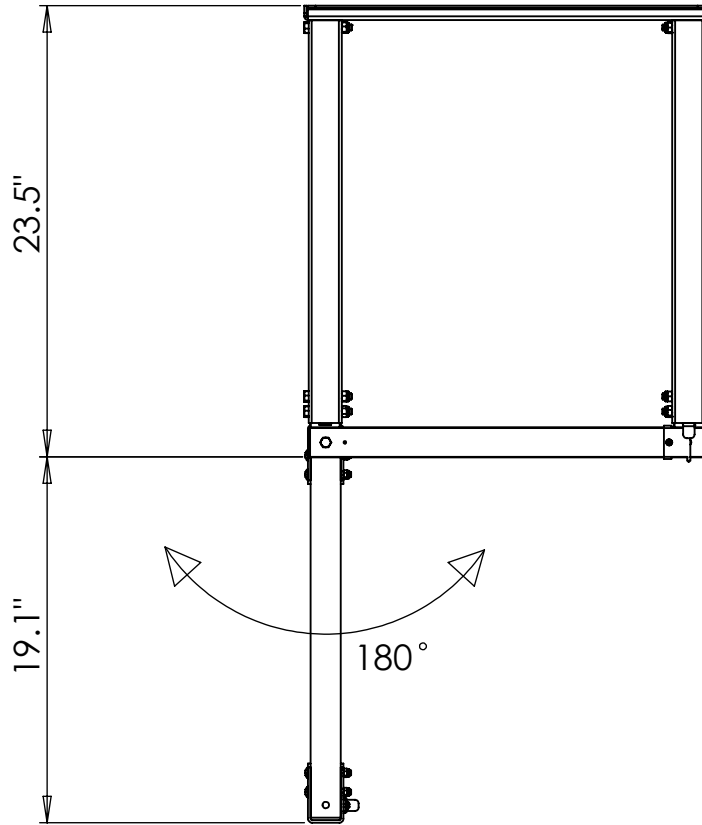
7/28/08

SCALE: 1:10

Unit: mm

SHEET 1 OF 3

Top View

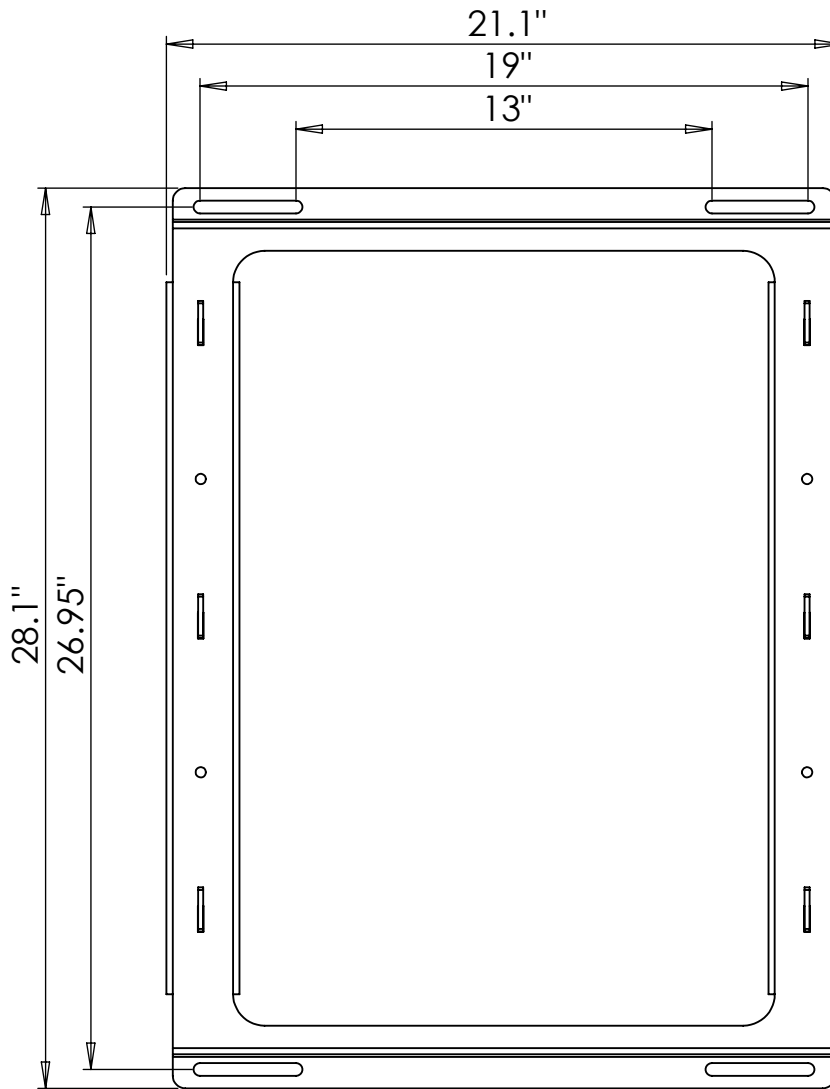


Note: Gate can hinge from either side.

VMP
VIDEO MOUNT PRODUCTS

Information and designs contained in this drawing are the proprietary property of Video Mount Products (VMP). None of the design or any information contained in this drawing may be reproduced or disclosed to others without prior written consent of Video Mount Products (VMP).

Title:		
ER-W24		
SIZE	DWG. NO.	REV
A	7/28/08	
SCALE: 1:10	Unit: mm	SHEET 2 OF 3



Wall Plate



Information and designs contained in this drawing are the proprietary property of Video Mount Products (VMP). None of the design or any information contained in this drawing may be reproduced or disclosed to others without prior written consent of Video Mount Products (VMP).

Title:		
ER-W24		
SIZE	DWG. NO.	REV
A	7/28/08	
SCALE: 1:6	Unit: mm	SHEET 3 OF 3