



ERWEN-9E

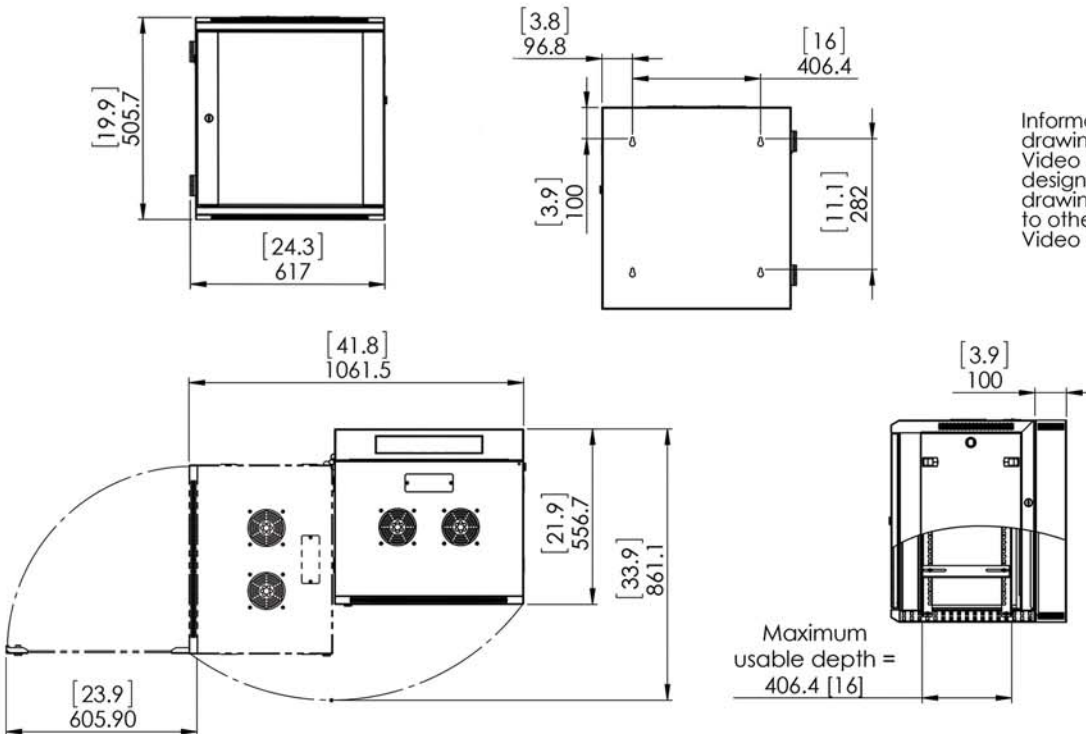
19" Equipment Hinged Wall Rack Enclosure - 9U

- Works with all standard 19" rack equipment and accessories
- Rails have numbered spaces with standard 10-32 threading
- Welded steel construction
- Ships fully assembled
- Adjustable front and rear rails
- Vented top and bottom
- Top and bottom cable routing knockouts
- Removable hinged back panel
- Reversible hinged tempered glass front door
- Removable side panels (with optional locks)
- Load capacity - 120 lbs
- Black powder coat finish

Accessories

[A] Side Panel Locks - ERENSL2 (Pair)

[B] 2 Fan Kit - ERWEN2FANKIT



Units: mm [inch]

Information and designs contained in this drawing are the proprietary property of Video Mount Products (VMP). None of the design or any information contained in this drawing may be reproduced or disclosed to others without prior written consent of Video Mount Products (VMP).

