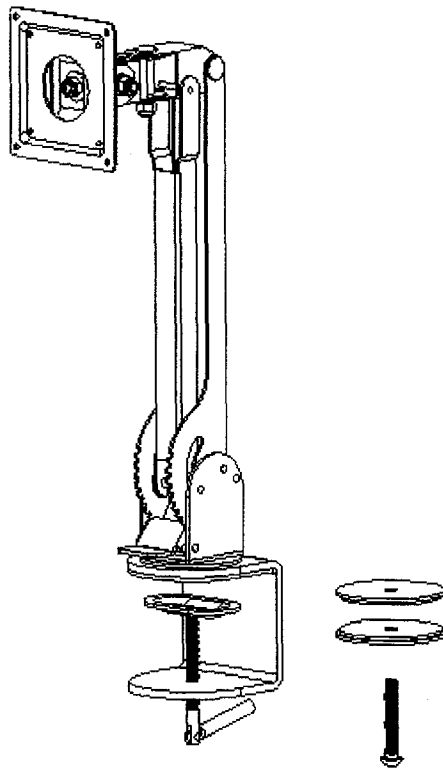


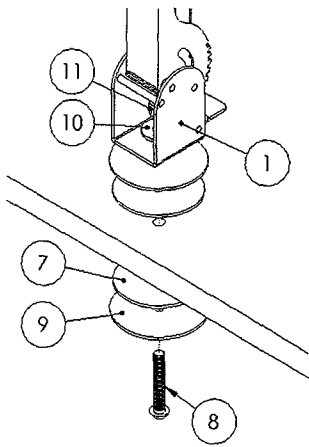
WMP

VIDEO MOUNT PRODUCTS

Instruction Sheet For:
LCD-2 & LCD-2B



For more information, please contact us at:
325 Log Canoe Circle, Stevensville, Maryland 21666
(T) 410.643.6390 / (F) 410.643.6615
www.videomount.com



Step 1

Before starting, lay out all parts to your mount and match them to the parts list provided. Verify that you have all your parts before attempting to assemble the mount.

Through bolting the LCD-2

Step 2

Mark the desk or desired mounting surface in preparation of installation of the mounting bracket (1). Drill a 1/2" hole through the desired mounting surface. Place a plastic washer (7) on either side of the drilled hole and place metal washers (9) on top of the plastic washers (7). Insert the M10 screw (8) through the bottom most metal washer (9) through to the top most metal washer (9). Place the mounting bracket (1) onto the M10 screw and use nylon nut (11) and washer (10) to secure in place. **Warning: Please verify that your mounting surface will support the combined weight of your mount, mounting hardware, and monitor. Also verify that the mounting surface is safe to drill through. If in doubt, please contact a professional installer.**

Proceed to step 5.

Clamping the LCD-2

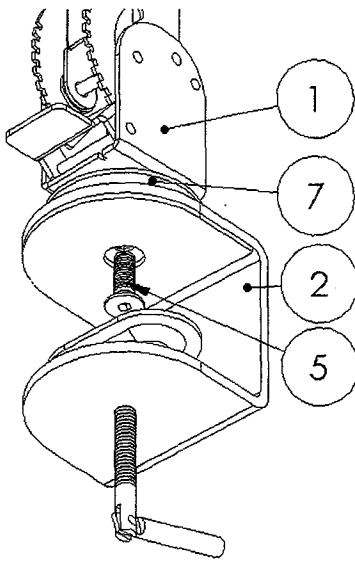
Step 3

Make sure the flat head screw (5) is connecting the mounting bracket (1) to the base seat (2) with a plastic washer (7) in between. Use the nylon nut (11) and washer (10) to secure the mounting bracket (1). **Note: The mount may come assembled with the button cap M10 screw (8) attaching the base seat please make sure to attach the flat head screw instead.**

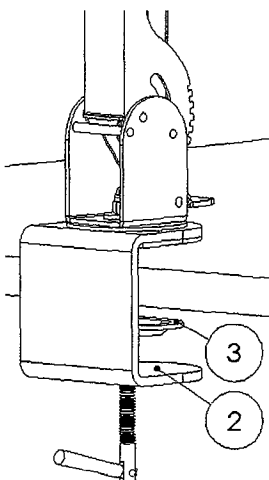
Step 4

Place the clamp on the edge of the desk or mounting surface and turn the adjustable bolt (3) until the fixed plate on the adjustable bolt (3) is tight against the bottom of the desk or desired mounting surface. **Warning: Please verify that your mounting surface will support the combined weight of your mount, mounting hardware, and monitor. If in doubt, please contact a professional installer.**

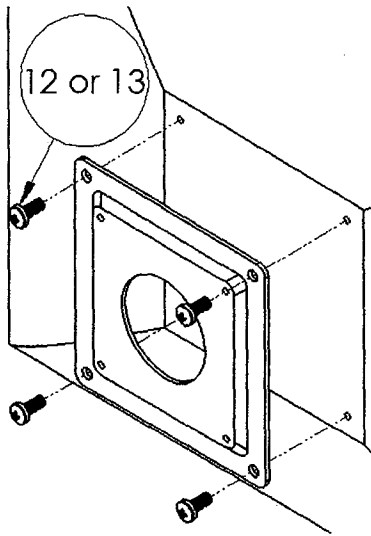
Step 2: Through bolting the mount bracket



Step 3: Connecting the base seat to the mounting bracket



Step 4: Clamping the mounting bracket to the desk



Step 5

Determine if whether your monitor has a VESA 100 or VESA 75 hole pattern. If the monitor has a VESA 75 hole pattern skip this step. Attach the VESA 100 plate to the back of your monitor using the M4 or M5 screws (12) or (13) as appropriate for your monitor.

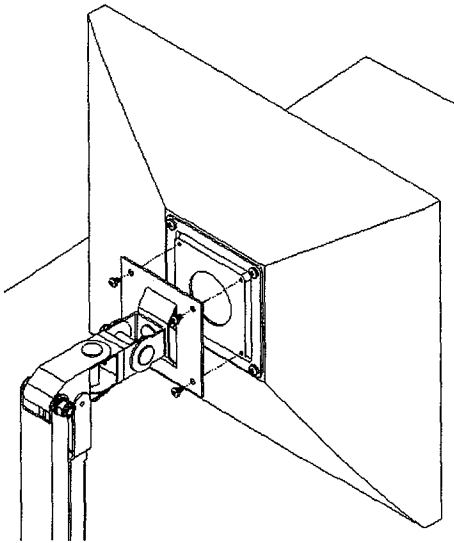
Step 6

Attach either the VESA 100 plate or your monitor to the VESA 75 holes using the 6mm long M4 screws if you are attaching the VESA 100 plate or the 12mm long M4 or M5 screws (12) or (13) if you are attaching the monitor directly.

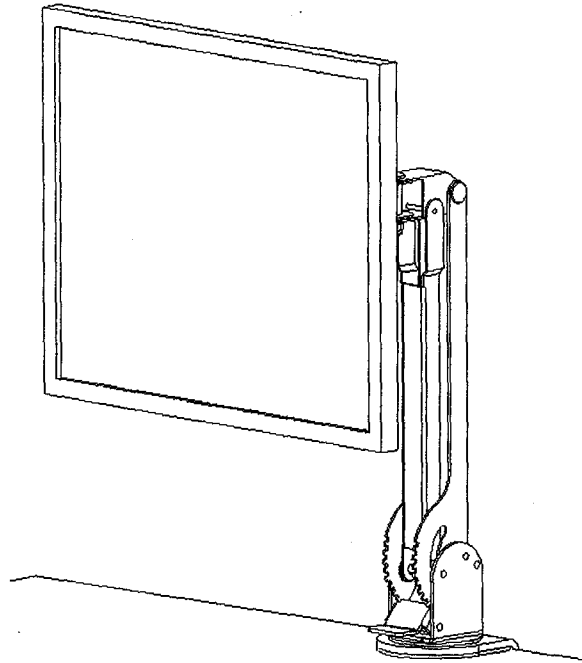
Step 7

Please verify that all nuts and screws are tight.

Step 5: Attaching the VESA 100 plate to the monitor



Step 6: Attaching the VESA 100 plate or monitor to the mounting bracket



Enjoy Your Mount!

WARNING: The installer of these products must verify that the mounting surface, ceiling or wall, will safely support the combined weight of all attached equipment and hardware. Video Mount products will not be held liable for the improper use or installation of its products.

*** LCD-2 ***

ITEM NO.	PART NAME	QTY.
1	FIXED PLATE	1
2	ELEVATION TIE-IN	1
3	LEFT AND RIGHT TURN HEAD	1
4	PARALLEL TIE-IN	1
5	INSIDE REVOLVE SHORE	1
6	OUTSIDE REVOLVE SHORE	1
7	KEYSTROKE	1
8	REVOLVE SUPPORT	1
9	Desk Clamp Bracket	1
10	PRESS PLATE	1
11	ADJUSTABLE PART	1
12	SPRING WASHER	1
13	ALLEN SCREW M10X30	1
14	PARALLEL TIE-IN BOLT	1
15	SCREW M8XP1.25X48.5	3
16	CONNECT NUT	4
17A	ELEVATION SPRING	1
17B	KEYSTROKE SPRING	1
18	ANTI STRIP	1
19	WASHER C10XC26XT2.0	1
20	NYLON NUT M10XP1.5	1
21	WASHER C10XC80XT2.0	2
22	NYLON NUT M8XT1.7	4
23	WASHER C8XC16XT1.6	4
24	SPRING WASHER M8	3
25	CARRIAGE SCREW M8X16	1
26	PLASTIC WASHER C5.2XC16XT0.5	2
27	STEEL SPACER TUBE	2
28	TUBE	2
29	PVC CONNECT	6
30	CROSS SCREW M5X12	4
31	WRENCH	1
32	PLASTIC WASHER C8.5XC19XT2.5	3
33	MOUNTING PLATE	1
34	CROSS SCREW M4X6	4
35	ALLEN SCREW M10XP1.5X50	1
37	ALLEN KEY M6	1
38	METAL WASHER	2
39	CROSS SCREW M4X12	4
40	CROSS SCREW M6X12	4

