

EXT-1218

1.5" NPT Telescoping Extension – 12" to 18"

Product Features:

Works with VMP ceiling mounts that use or have been adapted to use 1.5" NPT pipe

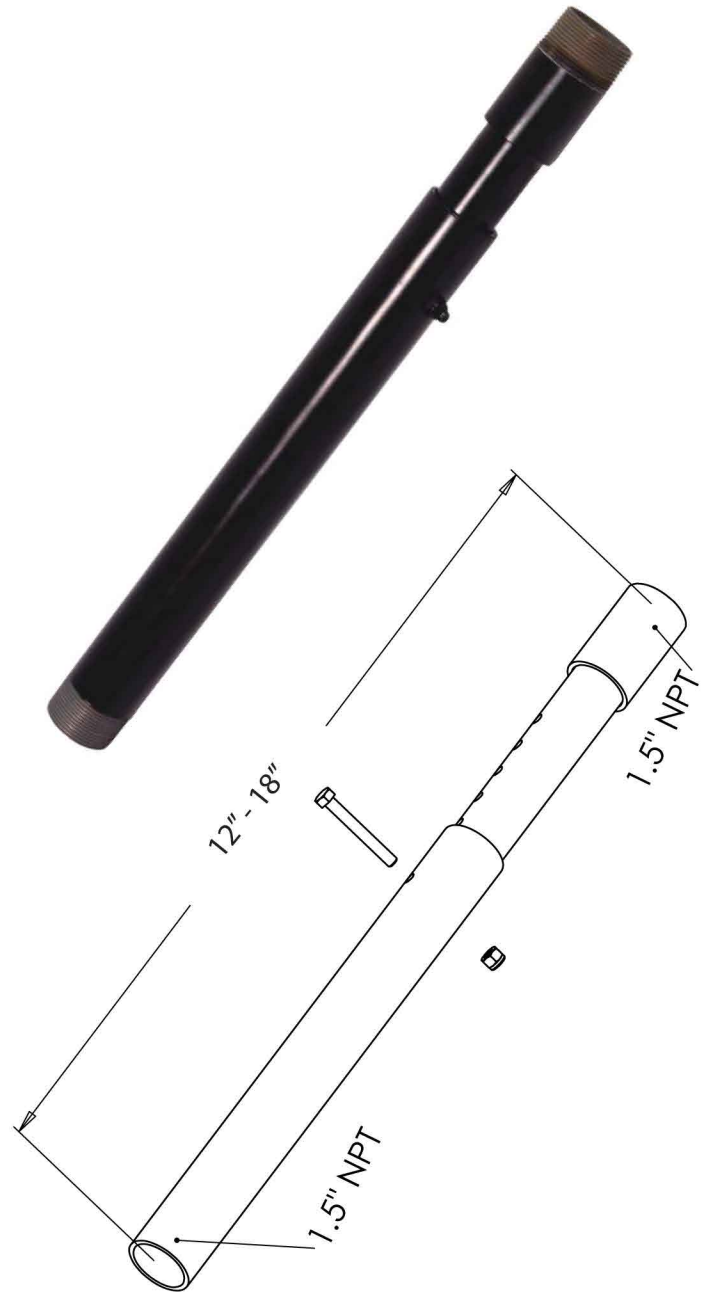
Works with any manufacturer's ceiling mounts which use 1.5" NPT pipe

Adjustable from 12" to 18"

Black powder coat finish

Product Specifications: *(for Architects & Engineers)*

The telescoping extension shall be the Video Mount Products (VMP) EXT-1218. The extension shall be made of 1.5" NPT pipe. The extension shall be capable of adjusting from 12" to 18". The extension shall have predrilled holes every inch. The extension shall be able to integrate with any manufacturer's mount which uses 1.5" NPT pipe.



Video Mount Products

345 Log Canoe Circle Stevensville, MD 21666
Toll Free: 877.281.2169 Telephone: 410.643.6390
Facsimile: 410.643.6615 www.videomount.com

VMP
VIDEO MOUNT PRODUCTS