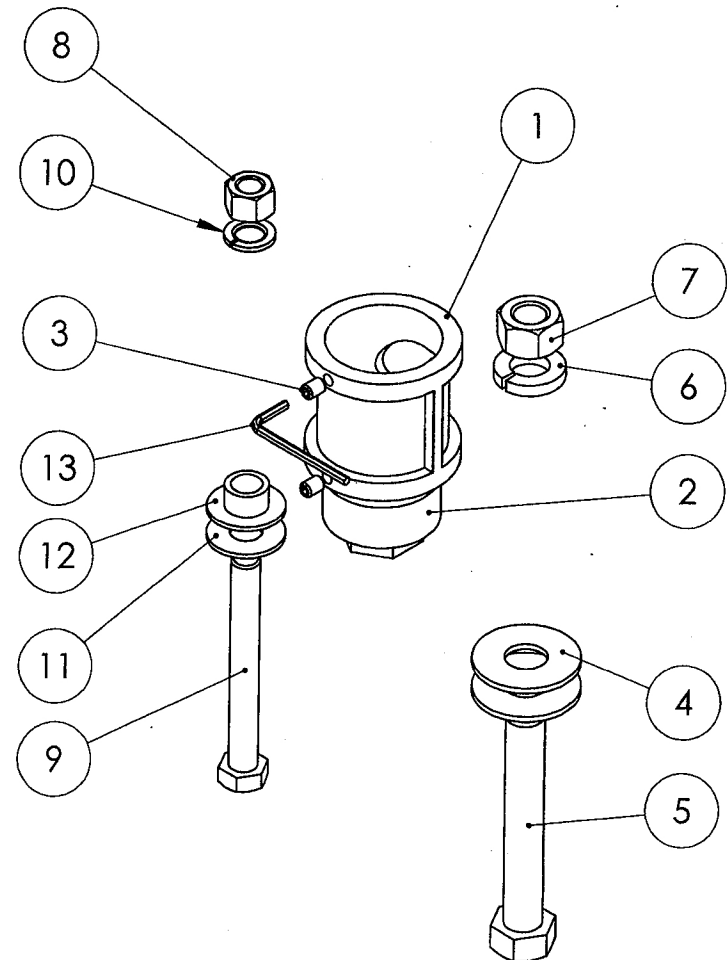


ITEM NO.	DESCRIPTION	QTY.
1	Female Pipe Couple	1
2	End Plug	1
3	Brake Screw 1/4"-20UNC*L3/8"	2
4	Washer $\phi 44.5 * \phi 17.5 * T2.3$	2
5	Hex Screw 5/8"-11UNC*L102	1
6	Spring Washer $\phi 26.7 * \phi 16.7$	1
7	Hex Nut 5/8"-11UNC	1
8	Nut M12*P1.75	1
9	Screw M12*P1.75*L100	1
10	Spring Washer M12	1
11	Washer $\phi 13.6 * 32 * T2.3$	1
12	Plastic Bushing	1
13	M3 Allen Key	1

AK-1 PT



VMP
VIDEO MOUNT PRODUCTS