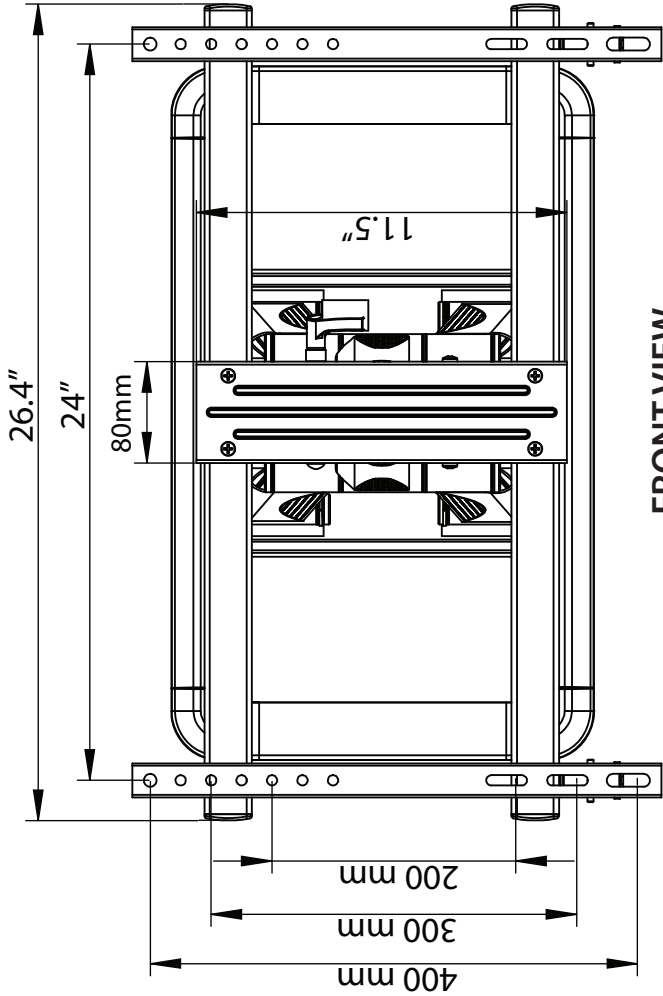
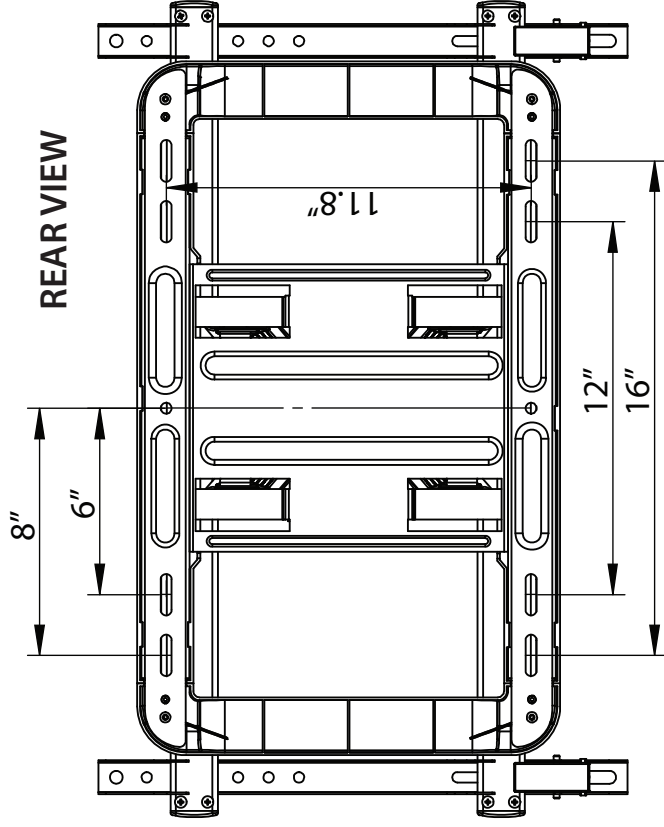


FP-XLWAB



FRONT VIEW

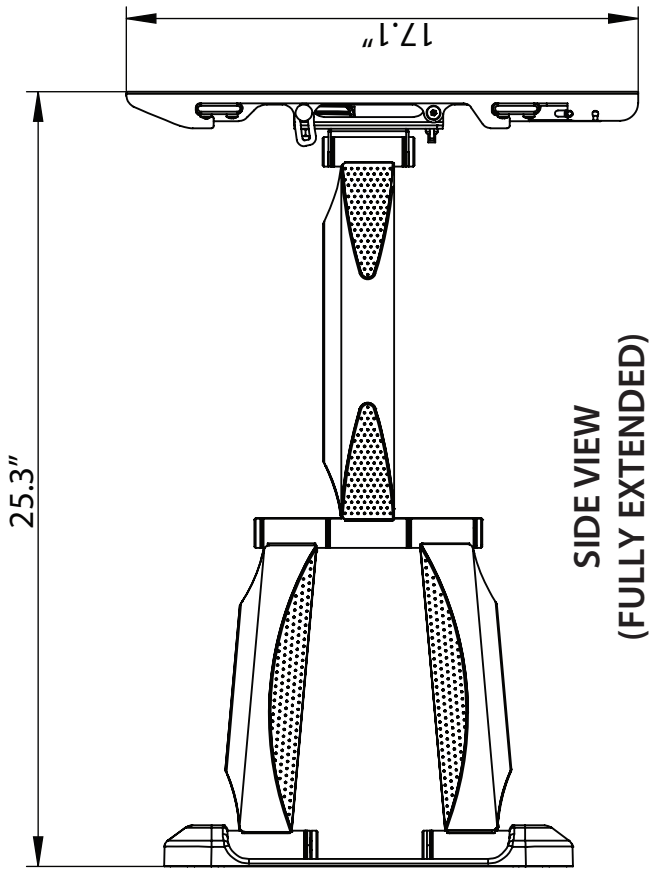


REAR VIEW

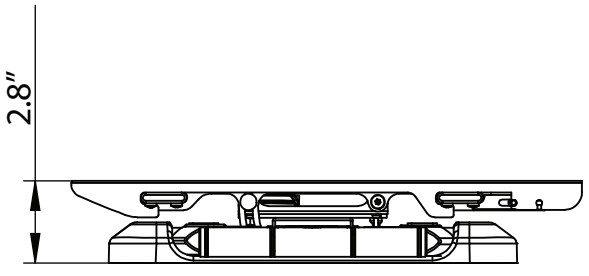
INFORMATION AND DESIGNS CONTAINED IN THIS DRAWING ARE THE PROPRIETARY PROPERTY OF VIDEO MOUNT PRODUCTS (VMP). NONE OF THE DESIGN OR ANY INFORMATION CONTAINED IN THIS DRAWING MAY BE REPRODUCED OR DISCLOSED TO OTHERS WITHOUT PRIOR WRITTEN CONSENT OF VIDEO MOUNT PRODUCTS (VMP).



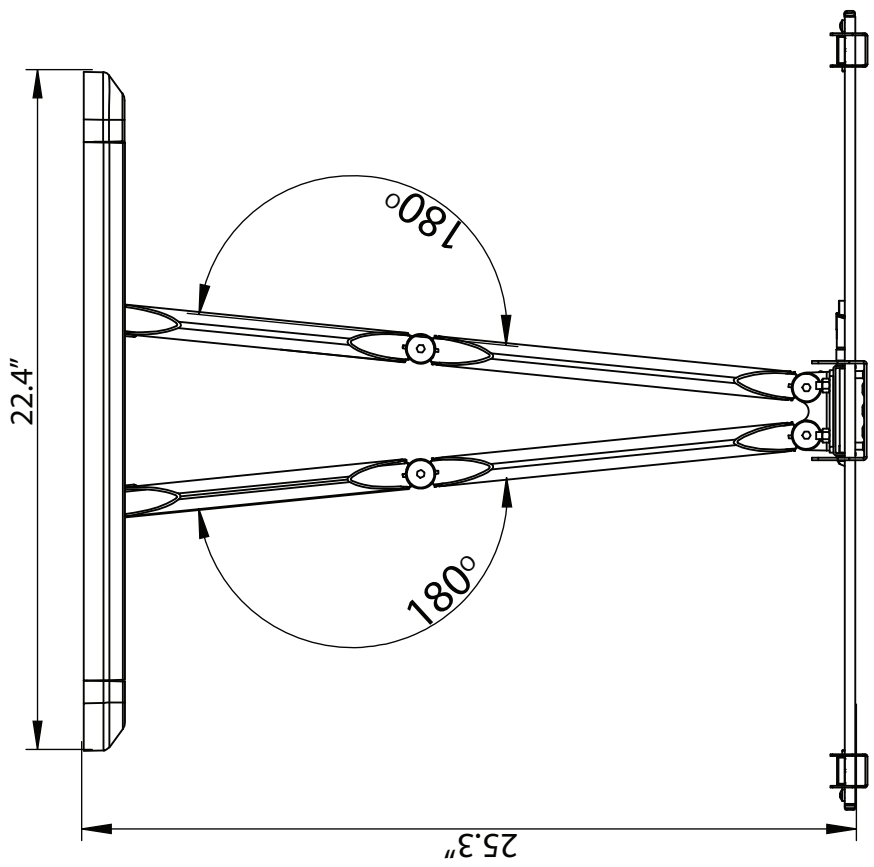
FP-XLWAB



SIDE VIEW
(FULLY EXTENDED)



SIDE VIEW
(COLLAPSED)



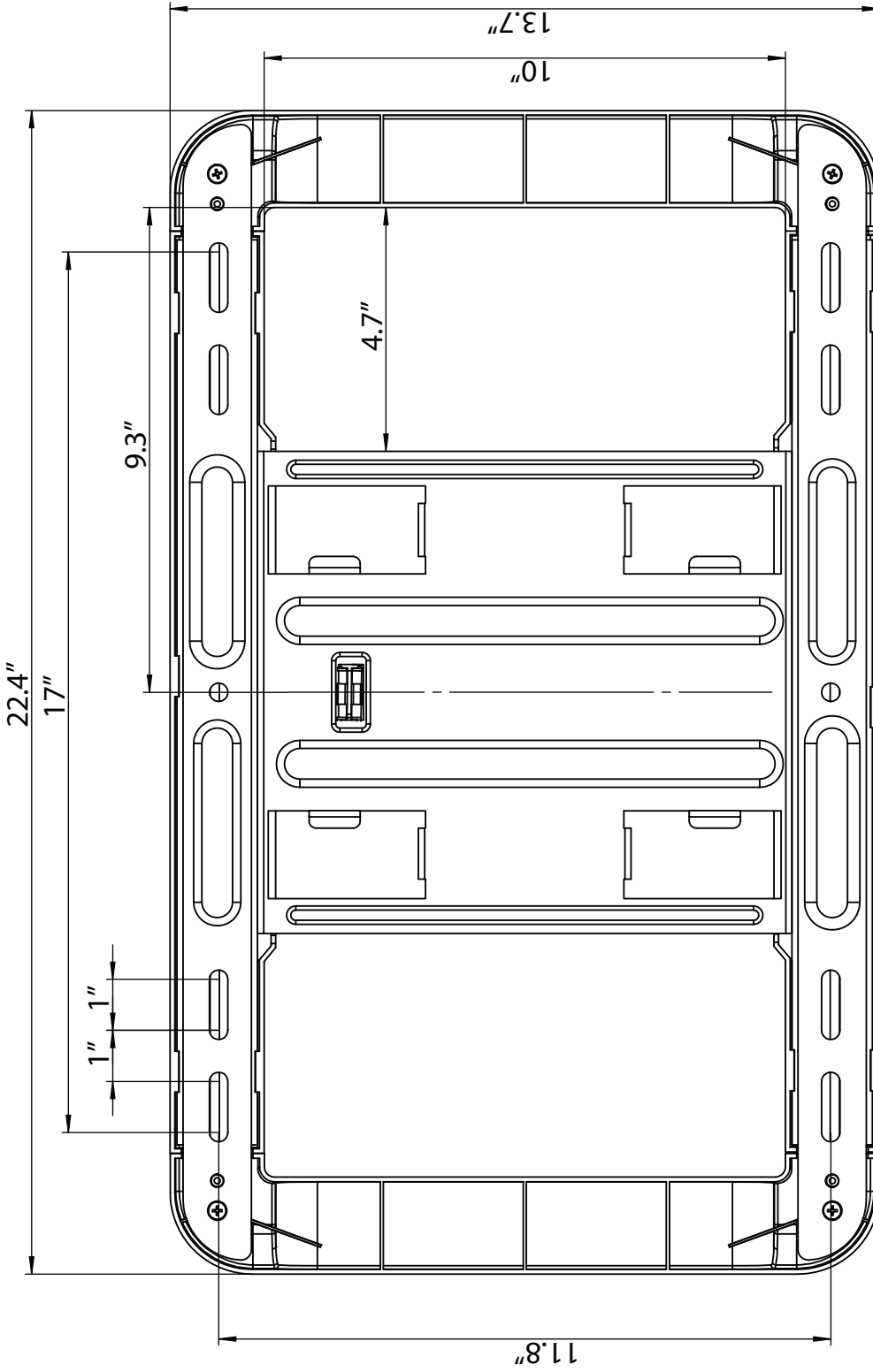
TOP VIEW
(FULLY EXTENDED)

INFORMATION AND DESIGNS CONTAINED IN THIS DRAWING ARE THE PROPRIETARY PROPERTY OF VIDEO MOUNT PRODUCTS (VMP). NONE OF THE DESIGN OR ANY INFORMATION CONTAINED IN THIS DRAWING MAY BE REPRODUCED OR DISCLOSED TO OTHERS WITHOUT PRIOR WRITTEN CONSENT OF VIDEO MOUNT PRODUCTS (VMP).



FP-XLWAB

REAR VIEW (WALL PLATE)



INFORMATION AND DESIGNS CONTAINED IN THIS DRAWING ARE THE PROPRIETARY PROPERTY OF VIDEO MOUNT PRODUCTS (VMP). NONE OF THE DESIGN OR ANY INFORMATION CONTAINED IN THIS DRAWING MAY BE REPRODUCED OR DISCLOSED TO OTHERS WITHOUT PRIOR WRITTEN CONSENT OF VIDEO MOUNT PRODUCTS (VMP).

