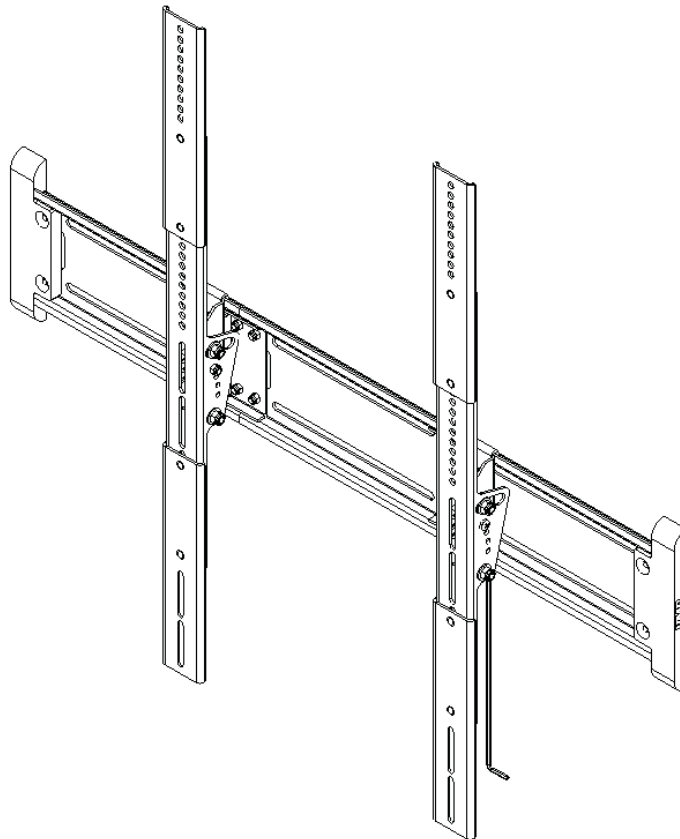


WMP

VIDEO MOUNT PRODUCTS

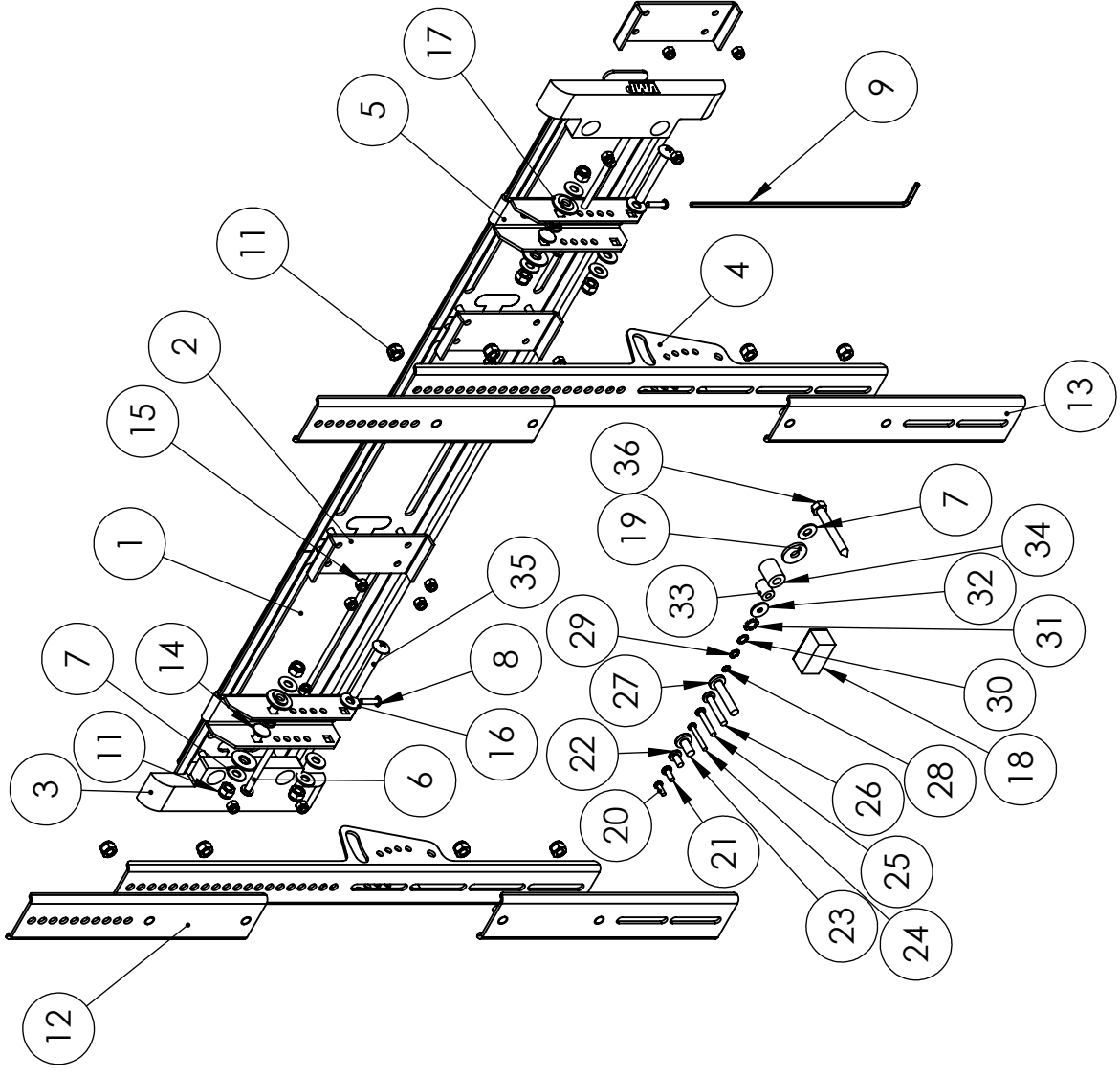
Instruction Sheet For:

FP-LDSB

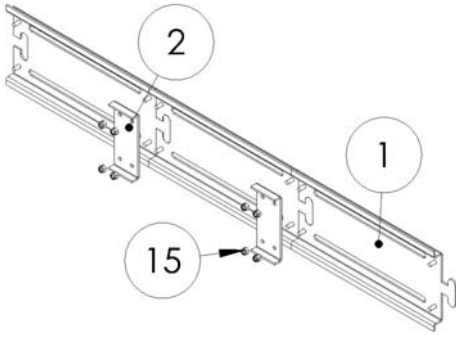


For more information, please contact us at:
345 Log Canoe Circle, Stevensville, Maryland 21666
Toll Free: 877.281.2169 Phone: 410.643.6390 Fax: 410.643.6615
www.videomount.com

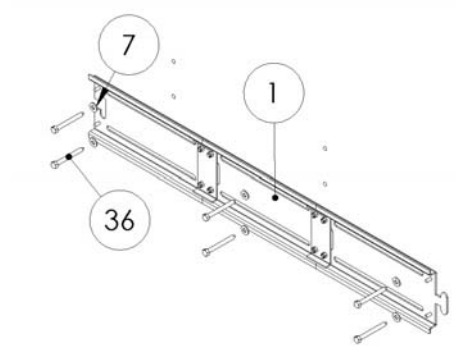
FP-LDSB



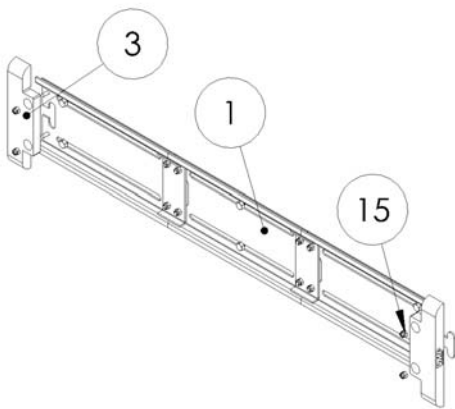
ITEM NO.	DESCRIPTION	QTY.
1	Wall Plate	3
2	Connector Plate	3
3	End Cap	2
4	Screen Mounting Bracket	2
5	Tilt Plate	2
6	Cross Screw M6*P1.0*L60	2
7	Washer $\phi 8.3 \times \phi 19 \times T1.6$	6+6
8	Security Screw M5*P0.8*L20	2
9	Long Allen Key M4	1
11	Nylon Nut M8*P1.25	14
12	Extension A	2
13	Extension B	2
14	Square Neck Screw M8*P1.25*L20	4
15	Nylon Nut M6*P1.0	16
16	Nylon Washer $\phi 8.5 \times \phi 20 \times T2.0$	4
17	Tilt Bushing	4
18	Magnetic Level	1
19	Washer $\phi 8.5 \times \phi 20 \times T2.0$	2
20	Screw M4*P0.7*L12	4
21	Screw M5*P0.8*L12	4
22	Screw M6*P1.0*L12	4
23	Screw M8*P1.25*L16	4
24	Screw M4*P0.7*L30	4
25	Screw M5*P0.8*L30	4
26	Screw M6*P1.0*L35	4
27	Screw M8*P1.25*L40	4
28	Lock Washer M4	4
29	Lock Washer M5	4
30	Lock Washer M6	4
31	Lock Washer M8	4
32	Washer $\phi 5.5 \times \phi 18 \times T2.0$	4+2
33	Spacer M5	4
34	Spacer M8	4
35	Cross Screw M8*P1.25*L65	2
36	Lag Screw 5/16" * L2.5"	6



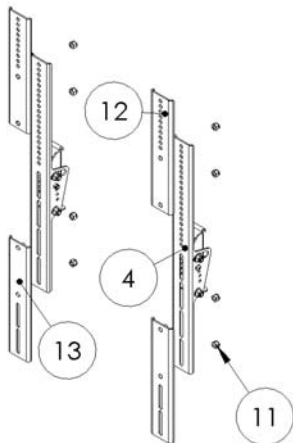
Step 2: Connect the wall plates together



Step 3: Mounting the wall plates



Step 4: Attaching the end caps



Step 5: Attaching the extensions

Step 1

Before starting, lay out all parts to your mount and match them to the parts list provided. Verify that you have all your parts before attempting to assemble the mount.

Step 2

Connect the desired amount of wall plates (1) together using the connector plates (2) and nylon nuts (15).

Step 3

Mark the wall or desired mounting surface in preparation of installation of wall plate (1). If mounting to wooden studs, pre drill pilot holes using a 7/32" drill bit. Attach the wall plate (1) to the wooden stud using the 5/16" by 2.5" long lag screw (36) and washer (7) making sure the small ear flaps are on the top rail of the wall plate (1). **WARNING: Please verify that your mounting surface will support the combined weight of your mount, mounting hardware, and flat panel.** Also verify that the mounting surface is safe to drill through. Please note only mounting hardware for mounting to wooden studs will be provided with the unit. If mounting to a surface other than wooden studs then other hardware will be required. If in doubt or uncertain about any of the above, please contact a professional installer.

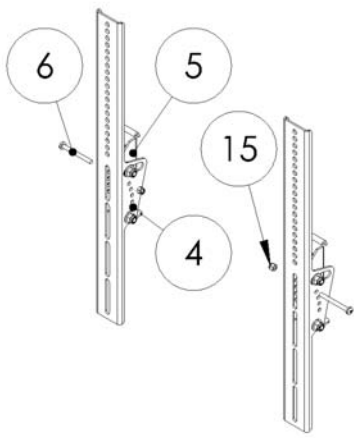
Step 4

Attach the end caps (3) to the ends of the wall plates (1) using the nylon nuts (15).

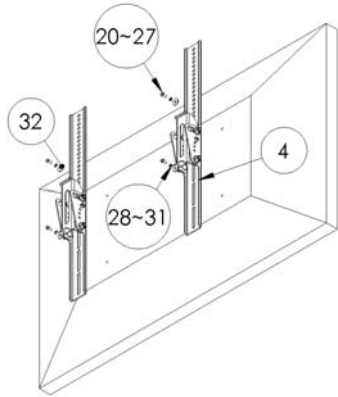
Step 5

If you need to extend the rails for mounting the flat panel display in portrait then proceed with the following step. Otherwise proceed to the next step.

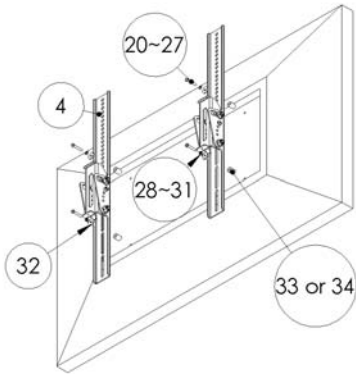
Attach extension A (12) and extension B (13) using the nylon nuts (11).



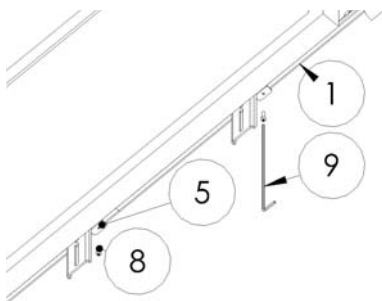
Step 6: Locking the tilt in place



Step 7A: Attaching the mounting brackets to the monitor (spacers not needed)



Step 7B: Attaching the mounting brackets to the monitor (spacers used due to recessed hole patterns)



Step 8: Securing the mounting brackets to the wall plate

Step 6

If you wish to specify a tilt angle for the tilt brackets then proceed with the following step. Otherwise proceed to the next step.

The tilt is lockable at 0°, 5°, 10° and 15°. The way you do this is for 0° line up the hole closest to the tilt arc on the screen mounting bracket (4) with the hole closest to the top square in the tilt plate (5). Then insert the M6 screw (6) through both the tilt plate (5) and the screen mounting bracket (4) and use the nylon nut (15) to lock the tilt in place. For 5 degrees do the same, but with the next set of holes down and so on for 10 and 15 degrees.

Step 7

Determine the correct screw size and if you need to use washers, lock washers, or spacers. *Note: Spacers are used for TVs with recessed hole patterns.* Secure the TV to the screen mounting bracket (4) using the appropriate hardware ((20) through (34)). *Note: The brackets have to be level with each other to work properly.*

Step 8

Hook the tilt plate (5) onto the wall plates (1). *Note: Make sure that the wall plate (1) that the tilt plate (5) is hooked onto is secured into the mounting surface.* To secure the tilt plate (5) to the wall plate (1), tighten security screws (8) in the threaded hole in the bottom of the tilt plate (5) using the long allen key (9). This will also secure your horizontal positioning for the flat panel.

Step 9

To adjust the tension in the tilt mechanism to the desired level, tighten/loosen the nylon nuts (11) on the tilt arc.

Please verify that all nuts and screws are securely tightened.

WMP
VIDEO MOUNT PRODUCTS

Enjoy Your Mount!

WARNING: The installer of these products must verify that the mount surface, ceiling or wall, will safely support the combined weight of all attached equipment and hardware. Video Mount Products will not be held liable for the improper use or installation of its products