

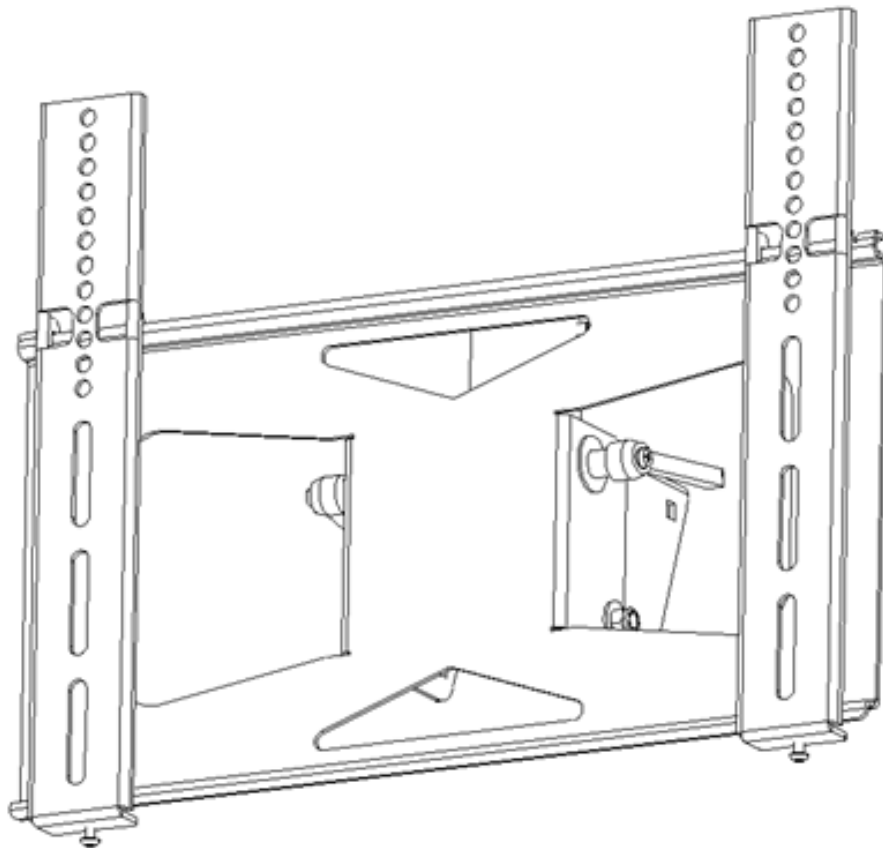
# **WMP**

VIDEO MOUNT PRODUCTS

*Instruction Sheet For:*

## **LCD-MID-CHB**

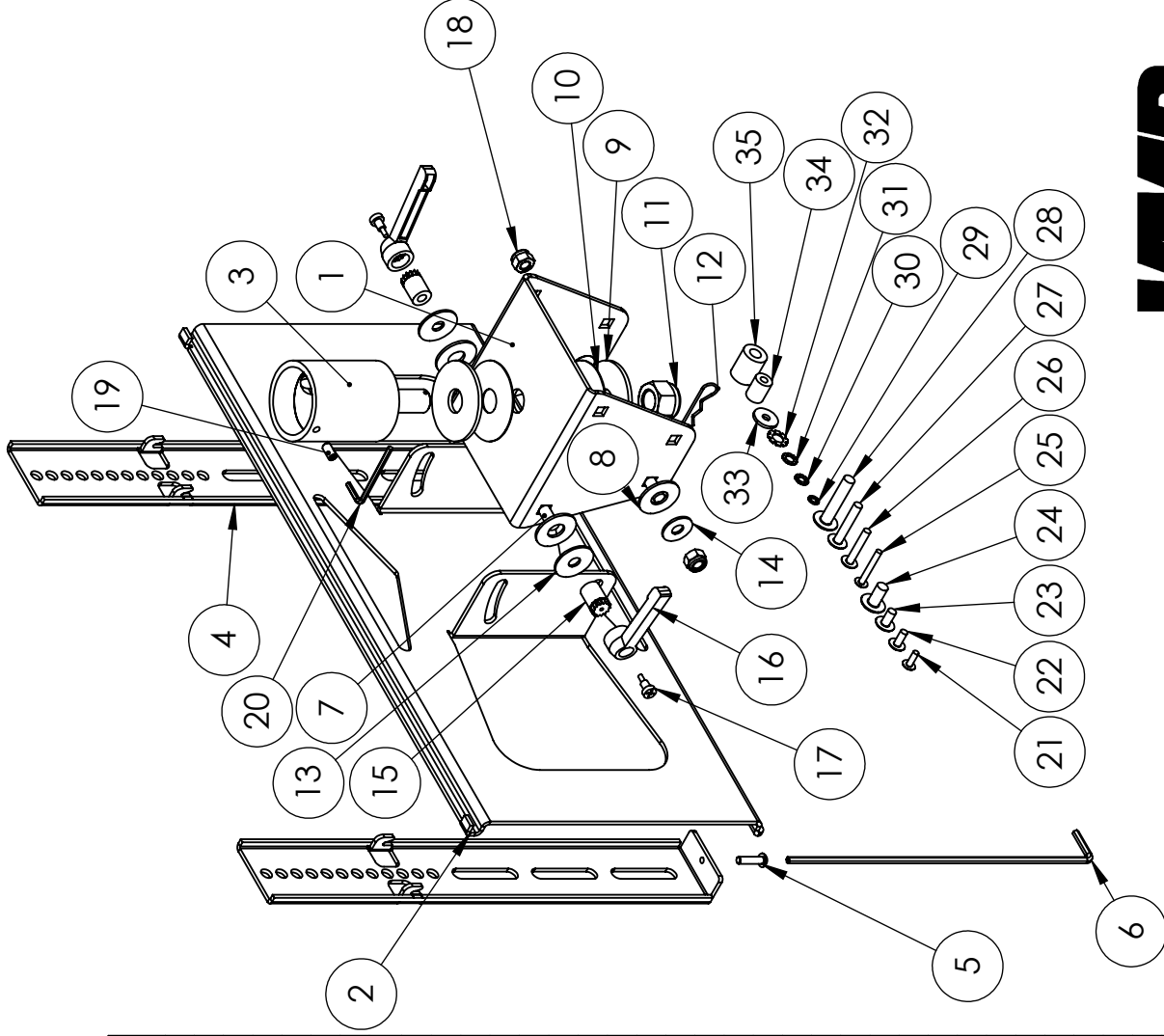
---



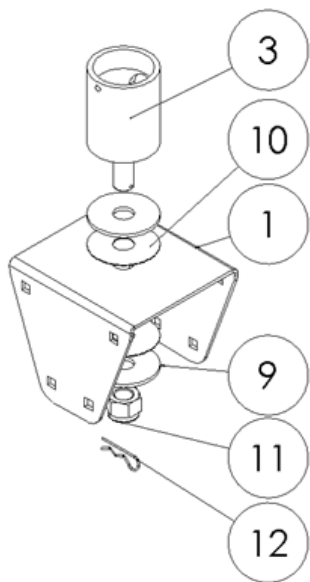
---

For more information, please contact us at:  
345 Log Canoe Circle, Stevensville, Maryland 21666  
Toll Free: 877.281.2169 Phone: 410.643.6390 Fax: 410.643.6615  
[www.videomount.com](http://www.videomount.com)

# LCD-MID-CHB



ITEM NO.	DESCRIPTION	Qty
1	Base Plate	1
2	Tilt Plate	1
3	Pipe Couple	1
4	Screen Mounting Brackets	2
5	Security Screw M5*P0.8*L20	2
6	Long Allen Key M4	1
7	Screw M8*P1.25*L20	4
8	Nylon Washer $\phi 12.5 \times \phi 30 \times T1.8$	4
9	Washer $\phi 17 \times \phi 55.6 \times T3.0$	2
10	PVC Washer $\phi 16.5 \times \phi 55.6 \times T0.7$	2
11	Nylon Nut M16*P2.0	1
12	Cotter Pin	1
13	Washer $\phi 8.5 \times \phi 25 \times T2.0$	2
14	Washer $\phi 5/16 \times \phi 19 \times T1.6$	2
15	Gear Nut	2
16	Lever Handle	2
17	Lever Screw	2
18	Nylon Nut 5/16" - 18UNC	2
19	Brake Screw 1/4" - 20UNC*L3/8"	1
20	M3 Allen Key	1
21	Cross Screw M4*P0.7*L12	4
22	Cross Screw M5*P0.8*L12	4
23	Cross Screw M6*P1.0*L12	4
24	Cross Screw M8*P1.25*L16.5	4
25	Cross Screw M4*P0.7*L30	4
26	Cross Screw M5*P0.8*L30	4
27	Cross Screw M6*P1.0*L35	4
28	Cross Screw M8*P1.25*L40	4
29	Lock Washer M4	4
30	Lock Washer M5	4
31	Lock Washer M6	4
32	Lock Washer M8	4
33	Washer $\phi 5.5 \times \phi 18 \times T2.0$	4
34	Spacer M6	4
35	Spacer M8	4



Step 2: Attaching the base plate to the pipe couple

### Step 1

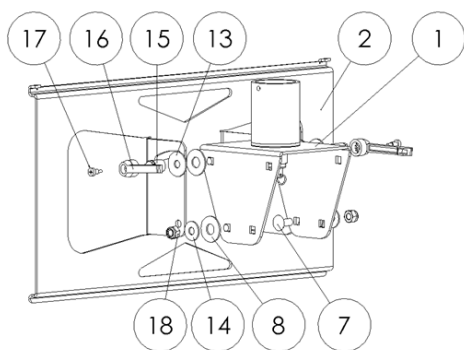
Before starting, lay out all parts to your mount and match them to the parts list provided. Verify that you have all your parts before attempting to assemble the mount.

### Step 2

Attach the base plate (1) to the pipe couple (3) using the large washers (9), PVC washers (10) and M16 nylon nut (11). Once the nylon nut (11) is tight, slide the cotter pin (12) through the small hole near the bottom of the screw coming out of the pipe couple (3). **Note: Be sure to tighten down the nylon nut (11) as far as possible to prevent sag or list in the mount.**

### Step 3

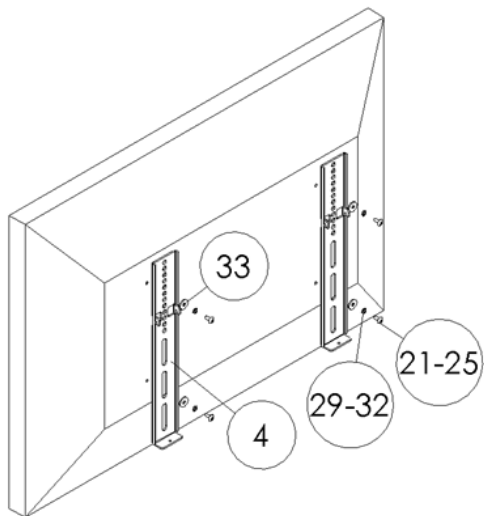
Attach the tilt plate (2) to the base plate (1) by first inserting plastic washers (8) in between the base plate and tilt plate on each side. Then insert the 5/16" by 3/4" long square neck screws (7) into the base plate (1) so the screws are pointed outwards. On the bottom screws on each side secure the screws with the 19 mm outer diameter washers (14) and nylon nuts (18). On the upper screws place the 25 mm outer diameter washers (13) and use the gear nuts (15), lever handle (16) and lever screw (17) to secure the tilt plate's (2) position. Tilt the tilt plate (2) as far up as it will go and lock the tilt into place by tightening down the lever handle (16) as far as it will go on each side. **Note: This is important to do to allow step 9 to be accomplished safely and easily.**



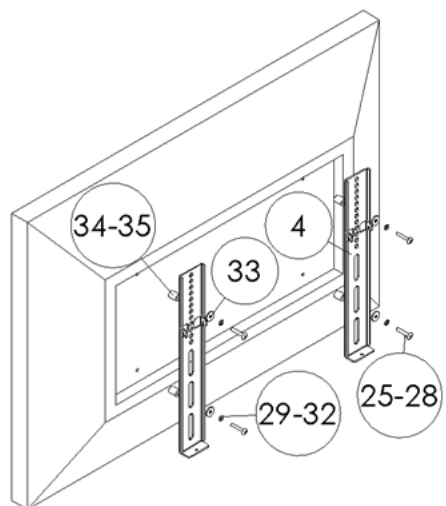
Step 3: Attaching the tilt plate to the base plate

### Step 4

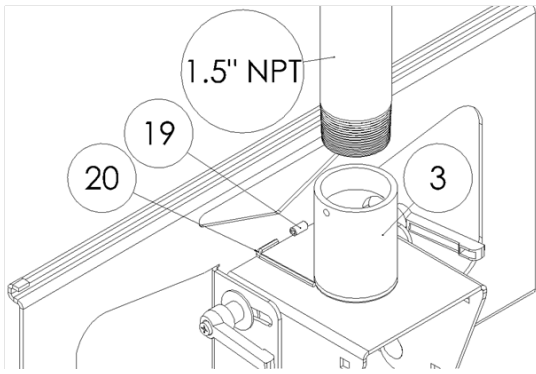
Determine the correct screw size and if you need to use washers, lock washers, or spacers. **Note: Spacers are used for TVs with recessed hole patterns.** Secure the display to the screen mounting brackets (4) using the appropriate hardware (21) through (35). **Note: The brackets have to be level with each other to work properly.**



Step 4A: Attaching the flat panel to the screen mounting brackets (spacers not needed)



Step 4B: Attaching the flat panel to the screen mounting brackets (spacers used for recessed hole pattern)



Step 5: Attaching the pipe couple to the 1.5" NPT mast (mast not provided)

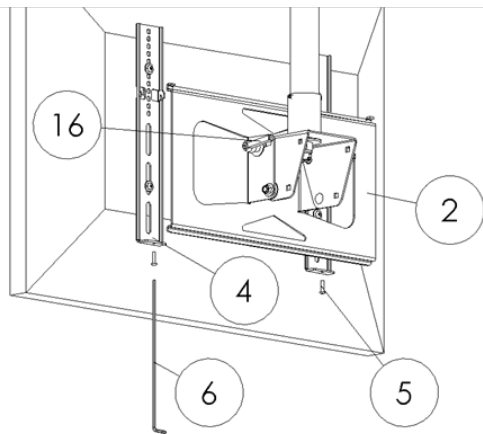
### Step 5

Screw the pipe couple (3) onto the 1.5" NPT mast as tight as possible. Then tighten the 1/4" - 20 brake screw (19) into the pipe couple using the M3 Allen Key (20). **Note: It is important to tighten down the brake screw (19) as far a possible to prevent the pipe couple (3) from rotating off of the 1.5" NPT mast.**

### Step 6

Make sure the tilt plate (2) is locked into place by tightening down the lever handles (16) as far as they will go. Lift the screen mounting brackets (4) with the attached flat panel onto the tilt plate (2). Then while another person is holding the flat screen in place tighten down the security screws (5) as far as they will go with the long Allen key (6) to lock the screen mounting brackets (4) into place. Once the screen mounting brackets (4) are secure then you can adjust the tilt by loosening the lever handles (16) and adjusting the tilt plate (2) to the desired position and then retightening the lever handles (16) once it is in position.

**Please verify that all nuts and screws are securely tightened.**



Step 6: Attaching the flat panel and adjusting the tilt

***WMP***  
VIDEO MOUNT PRODUCTS

**Enjoy Your Mount!**

**WARNING: The installer of these products must verify that the mount surface, ceiling or wall, will safely support the combined weight of all attached equipment and hardware. Video Mount Products will not be held liable for the improper use or installation of its products.**