

AP-1

400mm x 200mm VESA Adaptor Plate

Product Features:

Adapts a VESA 200mm plate to accommodate a VESA 400mm x 200mm hole pattern

Designed specifically to work with the LCD-2537 and LCD-2537C, but will work with any manufacturer's VESA 200mm mount

Silver powder coat finish

Also available in black (AP-1B)

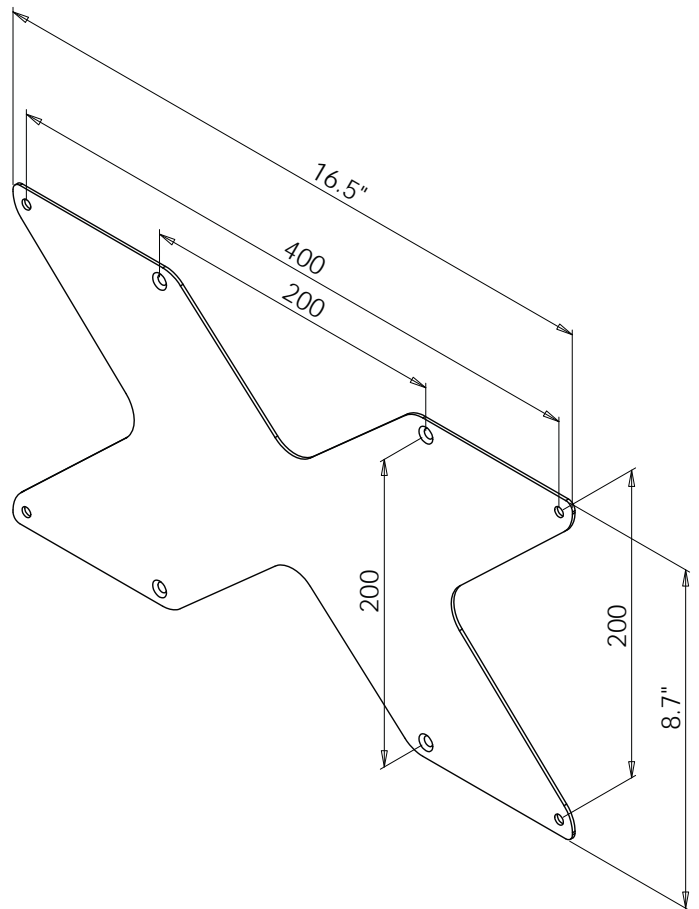
Product Specifications:

(for Architects & Engineers)

The 400mm x 200mm adaptor plate shall be the Video Mount Products (VMP) AP-1. The adaptor shall be capable of attaching to any manufacturer's VESA 200 mount to allow the mounting of flat panel with a 400 mm by 200 mm hole pattern. The plate can be used in conjunction with the Video Mount Products' (VMP) LCD-2537 and LCD-2537C wall and ceiling mounts.

Video Mount Products

345 Log Canoe Circle
Stevensville, MD 21666
Toll Free: 877.281.2169
Telephone: 410.643.6390
Facsimile: 410.643.6615
www.vidiomount.com



VMP
VIDEO MOUNT PRODUCTS