

# AP-2B

300mm x 300mm VESA Adaptor Plate

## Product Features:

Adapts a VESA 200mm plate to accommodate a VESA 300mm x 300mm hole pattern

Designed specifically to work w/ the LCD-2537B and LCD-2537CB, but will work w/ any manufacturer's VESA 200mm mount

Black powder coat finish

## Product Specifications:

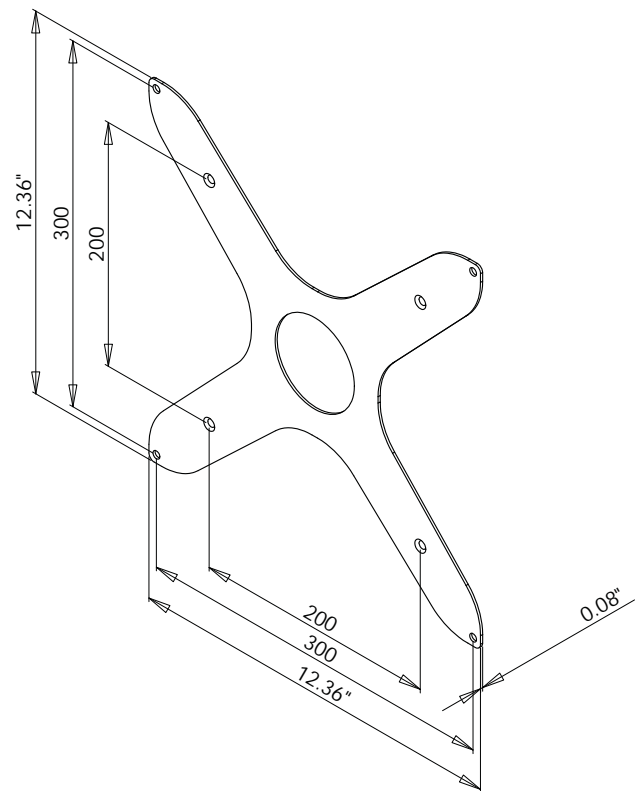
*(for Architects & Engineers)*

The 300mm x 300mm adaptor plate shall be the Video Mount Products (VMP) AP-2B. The adaptor shall be capable of attaching to any manufacturer's VESA 200 mount to allow the mounting of a flat panel with a 300 mm by 300 mm hole pattern.

The plate can be used in conjunction with the Video Mount Products' (VMP) LCD-2537B and LCD-2537CB wall and ceiling mounts.

## Video Mount Products

345 Log Canoe Circle  
Stevensville, MD 21666  
Toll Free: 877.281.2169  
Telephone: 410.643.6390  
Facsimile: 410.643.6615  
[www.videomount.com](http://www.videomount.com)



**VMP**  
VIDEO MOUNT PRODUCTS