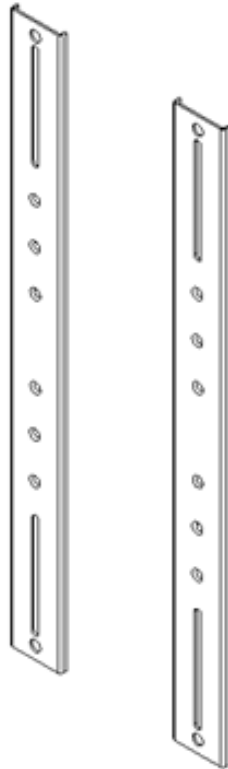


WMP

VIDEO MOUNT PRODUCTS

Instruction Sheet For:

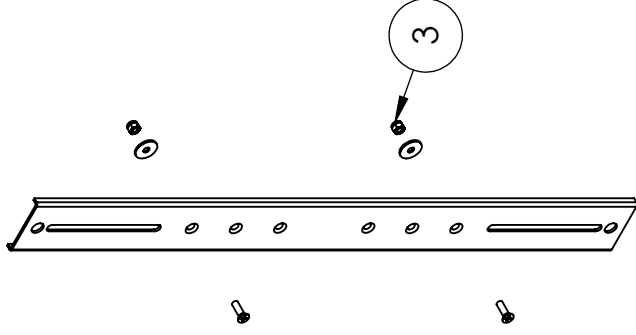
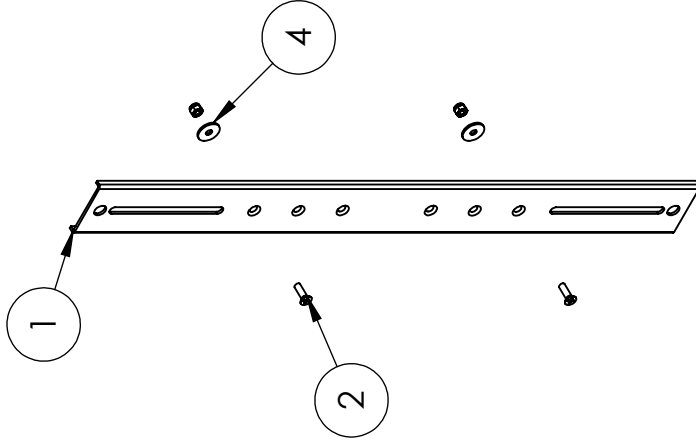
AR-1B

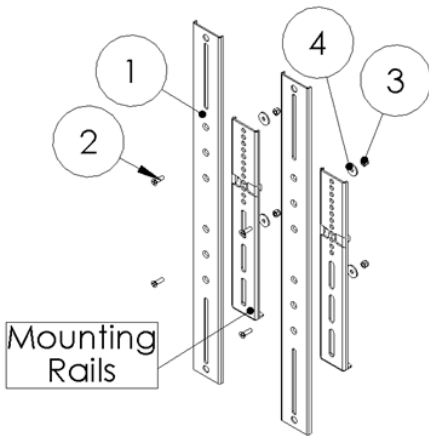


For more information, please contact us at:
345 Log Canoe Circle, Stevensville, Maryland 21666
Toll Free: 877.281.2169 Phone: 410.643.6390 Fax: 410.643.6615
www.videomount.com

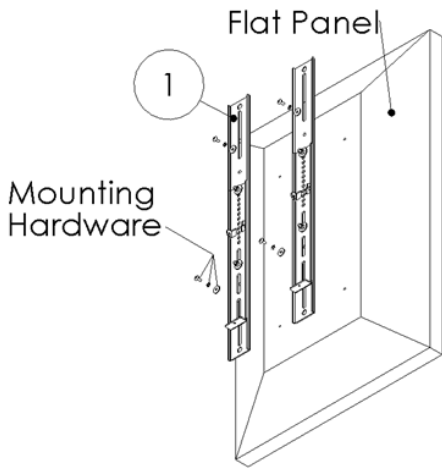
AR-1B

ITEM NO.	DESCRIPTION	Qty
1	Extension Rail	2
2	Flat Head Screw M6*P1.0*L20	4
3	Nylon Nut M6*P1.0	4
4	Washer $\phi 6.6 * \phi 22 * T2.0$	4





Step 2: Attaching the extension rails to the mounting rails



Step 3: Attaching the flat panel to the extension rails

Step 1

Before starting, lay out all parts to your mount and match them to the parts list provided. Verify that you have all your parts before attempting to assemble the mount.

Step 2

Attach the extension rails (1) to the mounting rails of the mount by inserting the flat head screws (2) into the countersink holes in the front of the extension rails (1). Then use the nylon nuts (3) and washers (4) on the backside of the mounting rails to secure the flat head screws (2).

Step 3

Attach the flat panel to the extension rails (1) with the correct hardware that is provided with the original mount.

Please verify that all nuts and screws are securely tightened.

Enjoy Your Mount!

WARNING: The installer of these products must verify that the mount surface, ceiling or wall, will safely support the combined weight of all attached equipment and hardware. Video Mount Products will not be held liable for the improper use or installation of its products.