

IWB-1

In Wall Box Adaptor

Product Features:

Can be used as a pre-construction or retro-fit in wall box or in conjunction with the LCD-1 or the LCD-2537 for a "No Profile" flat panel installation

Holds 15" - 32" flat panels

Installs between 16" centers

Integrated cable (4) and electrical (2) knockouts

Includes silver adaptors for the LCD-1 and LCD-2537

Load capacity - 50 lbs

Also available with black adaptors for the LCD-1B and LCD-2537B (IWB-1B)

Product Specifications:

(for Architects & Engineers)

The in-wall adaptor shall be the Video Mount Products (VMP) model IWB-1. The adaptor shall be used in conjunction with the LCD-1 or the LCD-2537. The adaptor shall be able to fit in between two 16" center wooden studs and shall come with the hardware to mount to said studs. The adaptor shall come with 2 electrical box knockouts and 4 cable knockouts. The adaptor shall come with a paintable finishing ring. The adaptor shall come with silver adaptors for the LCD-1 and the LCD-2537. The same unit with black adaptors for the LCD-1B and the LCD-2537B shall be called the IWB-1B.

Video Mount Products

345 Log Canoe Circle

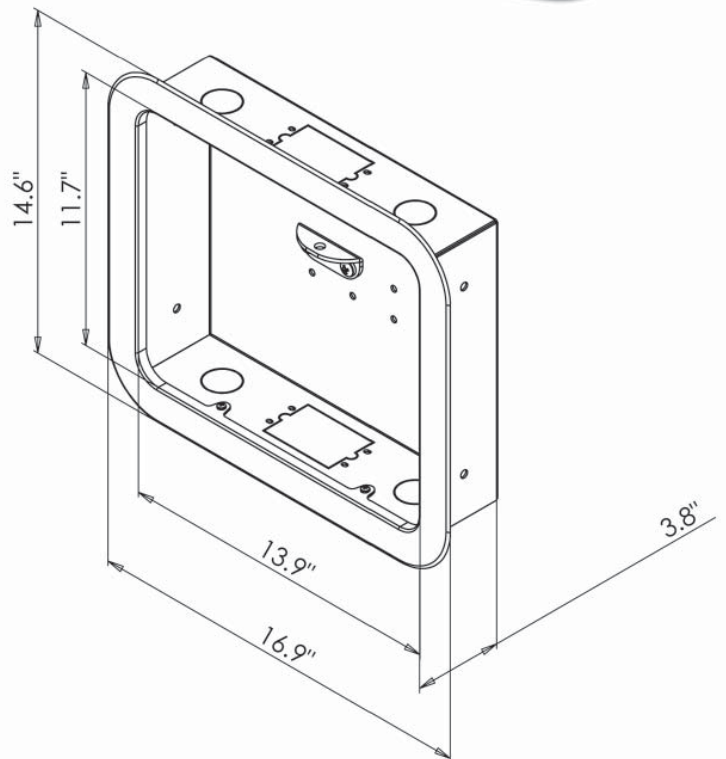
Stevensville, MD 21666

Toll Free: 877.281.2169

Telephone: 410.643.6390

Facsimile: 410.643.6615

www.videomount.com



VMP
VIDEO MOUNT PRODUCTS