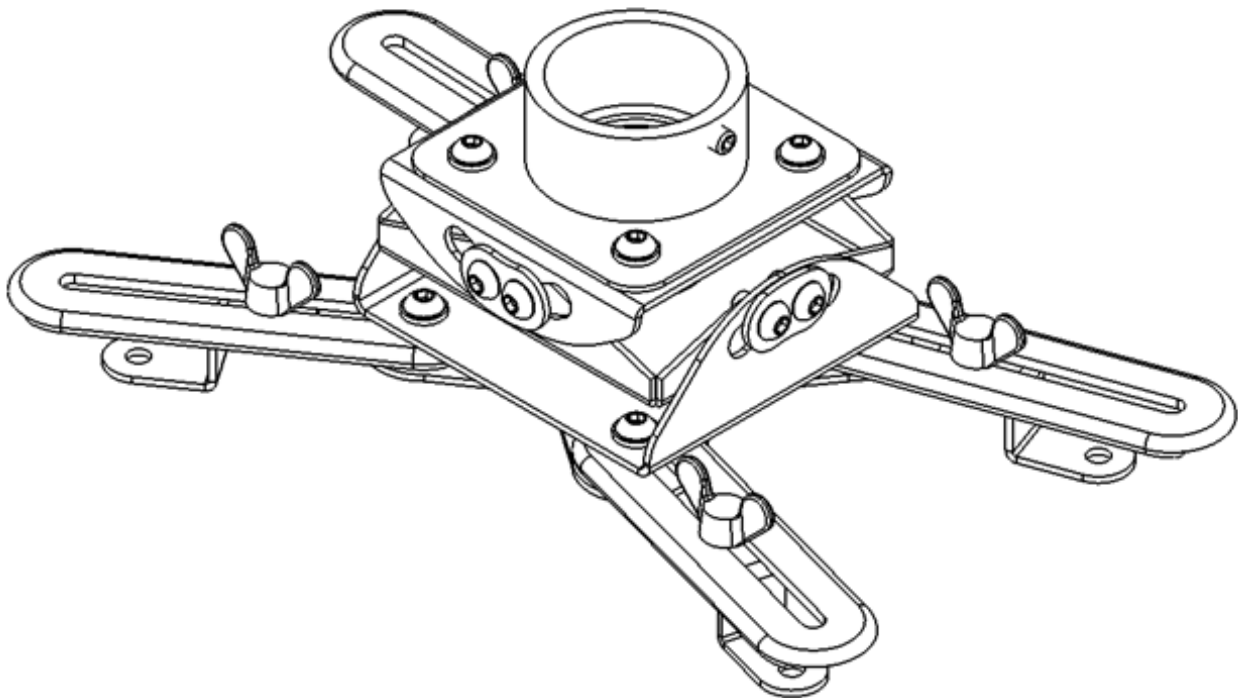


WMP

VIDEO MOUNT PRODUCTS

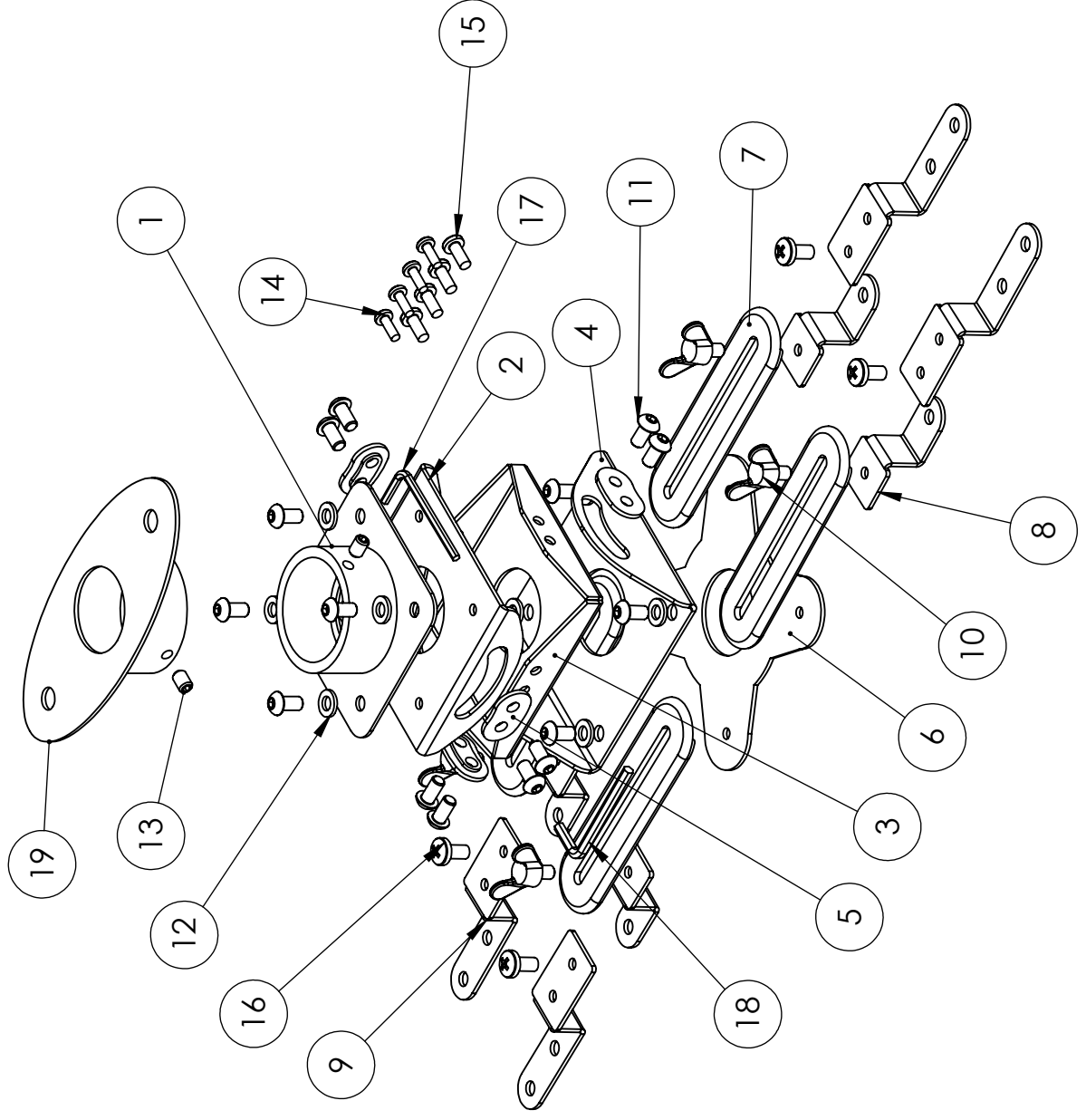
Instruction Sheet For:

PM-LPM & PM-LPMB

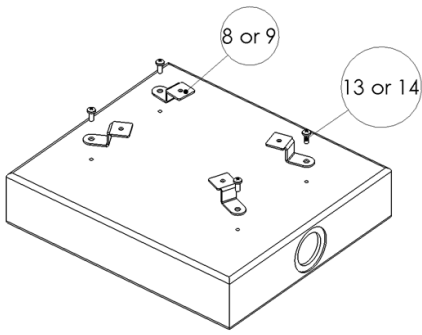


For more information, please contact us at:
345 Log Canoe Circle, Stevensville, Maryland 21666
Toll Free: 877.281.2169 Phone: 410.643.6390 Fax: 410.643.6615
www.videomount.com

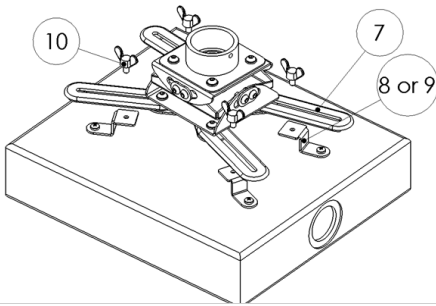
PM-LPM



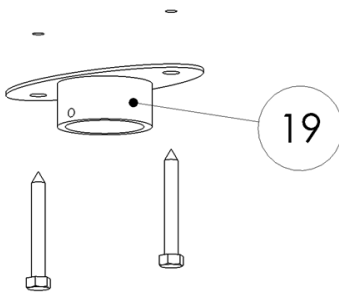
ITEM NO.	DESCRIPTION	QTY.
1	Pipe Couple	1
2	Upper Plate	1
3	Mid Plate	1
4	Lower Plate	1
5	Plastic Bushings	4
6	Bottom Plate	1
7	Leg	4
8	Foot	4
9	Longer Foot	4
10	Wing Screw M6*P1.0*L10	4
11	Socket Screw M6*P1.0*L12	16
12	Washer $\phi 6.5 \times \phi 12 \times T1.0$	8
13	Brake Screw 1/4"-20UNC*L3/8"	2
14	Cross Screw M4*P0.7*L12	4
15	Cross Screw M5*P0.8*L12	4
16	Cross Screw M6*P1.0*L12	4
17	M3 Allen Key	1
18	M4 Allen Key	1
19	Ceiling Plate	1



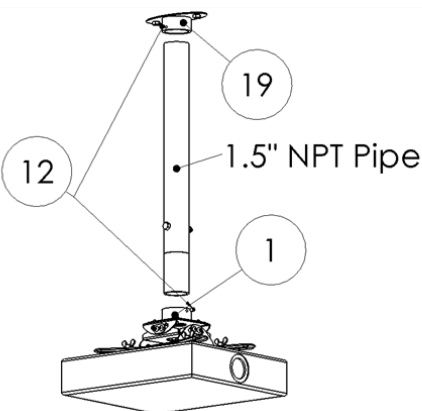
Step 2: Attaching the feet to the projector



Step 3: Attaching the feet to the mount



Step 4: Attaching the ceiling plate to the mounting surface



Step 5: Attaching the mount to the 1.5" NPT pipe

Step 1

Before starting, lay out all parts to your mount and match them to the parts list provided. Verify that you have all your parts before attempting to assemble the mount.

Step 2

Attach the feet (8) or (9) to the projector using the appropriate screws (13) or (14).

Step 3

Attach the feet (8) or (9) to the legs (7) using the wing screws (10). Note: If you plan to feed the cables through the holes in the center of the mount itself take the time to do so now before proceeding further. Note: If using the longer feet (9) use the M6 screws (15) in the rear holes of the feet in addition to the wing screws (10) to better secure the longer foot.

If you are using the ceiling plate (#19) otherwise proceed to step 5.

Step 4

Mark the ceiling or desired mounting surface in preparation of installation of the ceiling plate (19). Pre-drill, if necessary, and mount the ceiling plate (19) to the desired surface. **WARNING: Please verify that your mounting surface can support the combined weight of your mount, mounting hardware and projector. Also verify that the mounting surface is safe to drill through. If in doubt, please contact a professional installer.**

Step 5

Attach the 1.5" NPT pipe to the pipe couple (1). Tighten the brake screw (12) into the pipe to secure in place. If you use the ceiling plate (19) provided, secure the other end of the 1.5" NPT pipe into the ceiling plate (19) by tightening the second brake screw (12) in the other end of the pipe.

Please verify that all nuts and screws are securely tightened.



Enjoy Your Mount!

WARNING: The installer of these products must verify that the mount surface, ceiling or wall, will safely support the combined weight of all attached equipment and hardware. Video Mount Products will not be held liable for the improper use or installation of its products.