

ER-1-4PKIT

2 Post Expansion Kit For ER-1

Product Features:

Standard 10-32 threading in expansion posts

Includes side stabilizing bars

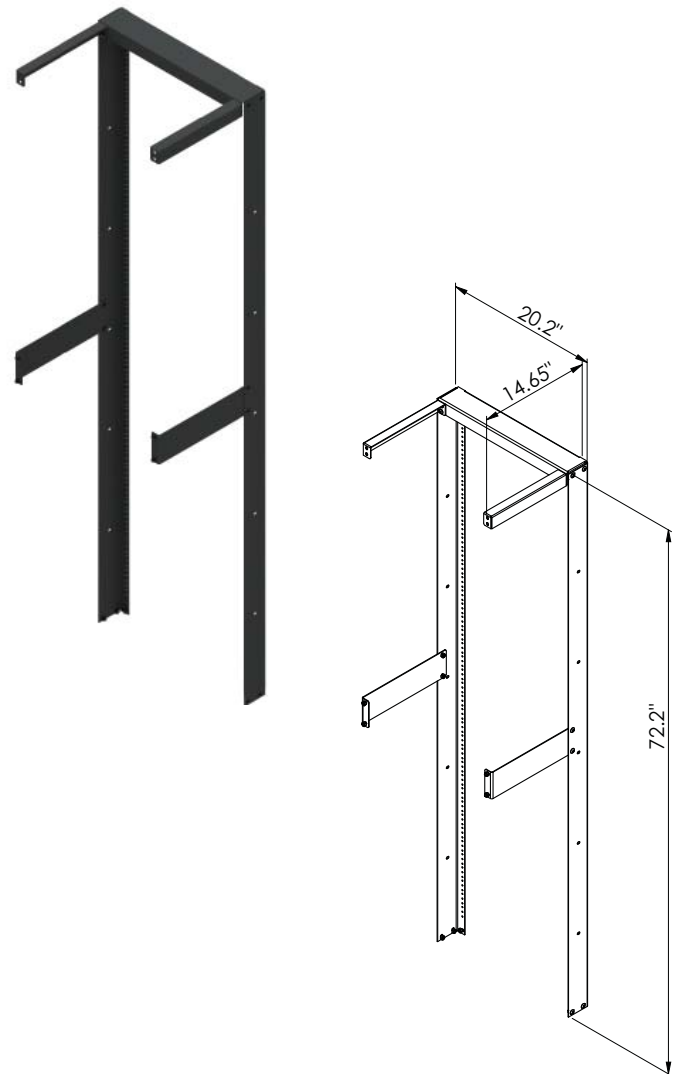
Steel construction

Black static resistant powder coat finish

Product Specifications:

(for Architects & Engineers)

The 2 post conversion kit for the ER-1 shall be the Video Mount Products (VMP) model ER-1-4PKIT. The kit shall be primarily constructed of formed steel. The kit shall include side stabilizing bars to all hardware necessary to convert the ER-1 to a 4 post rack. The kit shall be painted with a durable black powder coat finish.



Assembly



Video Mount Products

345 Log Canoe Circle

Stevensville, MD 21666

Toll Free: 877.281.2169

Telephone: 410.643.6390

Facsimile: 410.643.6615

www.videomount.com

VMP
VIDEO MOUNT PRODUCTS