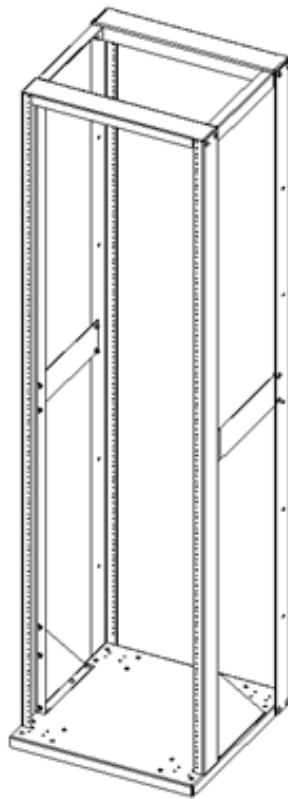


WMP

VIDEO MOUNT PRODUCTS

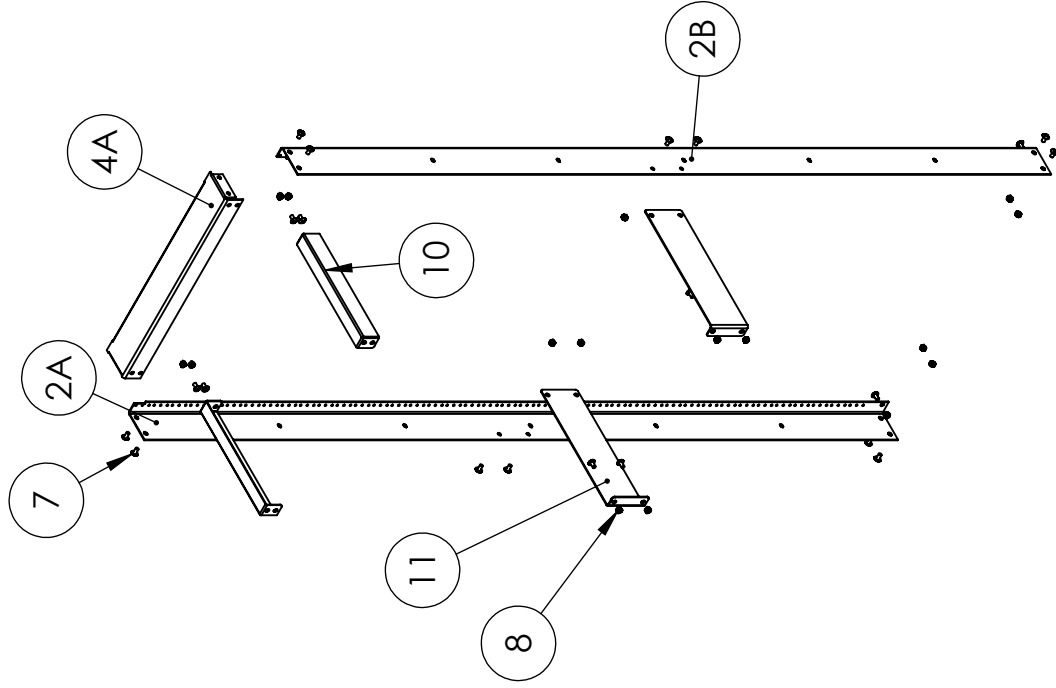
Instruction Sheet For:

ER-1-4PKIT

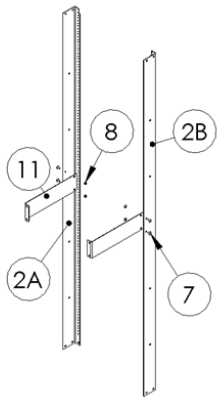


For more information, please contact us at:
345 Log Canoe Circle, Stevensville, Maryland 21666
Toll Free: 877.281.2169 Phone: 410.643.6390 Fax: 410.643.6615
www.videomount.com

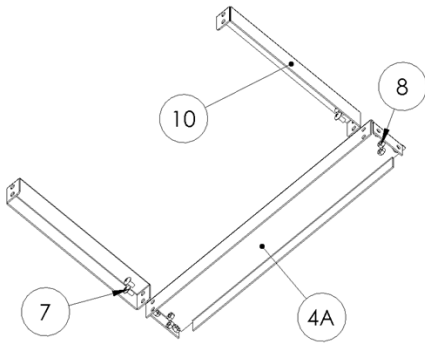
ER-1-4PKIT



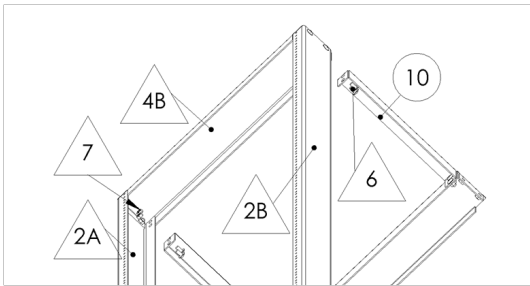
ITEM NO.	DESCRIPTION	QTY.
2A	Left Support "L"	1
2B	Right Support "L"	1
4A	Support Plate A	1
7	Cross Screw 1/4"-20UNC*L1/2"	22
8	Hex Nut 1/4"-20UNC	18
10	Connector Plate	2
11	Middle Connector Plate	2



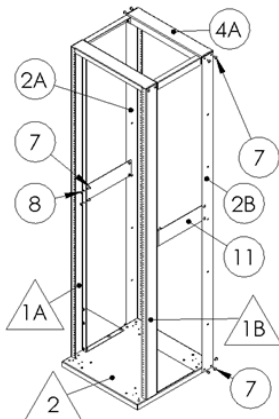
Step 2: the middle connector plates to the rear supports



Step 3: Attaching the top connector plates to the support plate



Step 4: Attaching the top connector plates to the ER-1



Step 5: Attaching the rear supports to the ER-1

Step 1

Before starting lay out all parts to your mount and match them to the parts list provided. Verify that you have all your parts before attempting to assemble the mount. Also before attempting to assemble the ER-1-4PKIT you should have already assembled the ER-1.

Note: ER-1-4PKIT part numbers are in circles and ER-1 part numbers are in triangles.

Step 2

Attach the middle connector plates (11) to the left and right "L" supports (2A) and (2B) using the 1/4" - 20 screws (7) and nuts (8).

Step 3

Attach the connector plates (10) to the support plate A (4A) using the 1/4" - 20UNC screws (7) and nuts (8).

Step 4

Attach the connector plates to the back of the support plate B (3) using the 1/4" - 20UNC screws (6) and nuts (7) that were originally used in the ER-1 to bind the support plate B (3) to the rear of the left (1A) and right (1B) support.

Step 5

Attach the left support "L" (2A) to the ER-1 by first attaching the left support "L" (2A) to the side of the support plate A (4A) using 1/4" - 20UNC screws (7). Then connect the middle connector plate (11) to the left support (1A) using 1/4" - 20UNC screws (7) and nuts (8). Attach the left support "L" (2A) to the base (2) using 1/4" - 20UNC screws (7) and nuts (8) making sure to attach the rail to both the side and the back of the base (2) using all three attachment points. Repeat this for the right support "L" (2B).

Please verify that all nuts and screws are securely tightened.



Enjoy Your Mount!

WARNING: The installer of these products must verify that the mount surface, ceiling or wall, will safely support the combined weight of all attached equipment and hardware. Video Mount Products will not be held liable for the improper use or installation of its products.