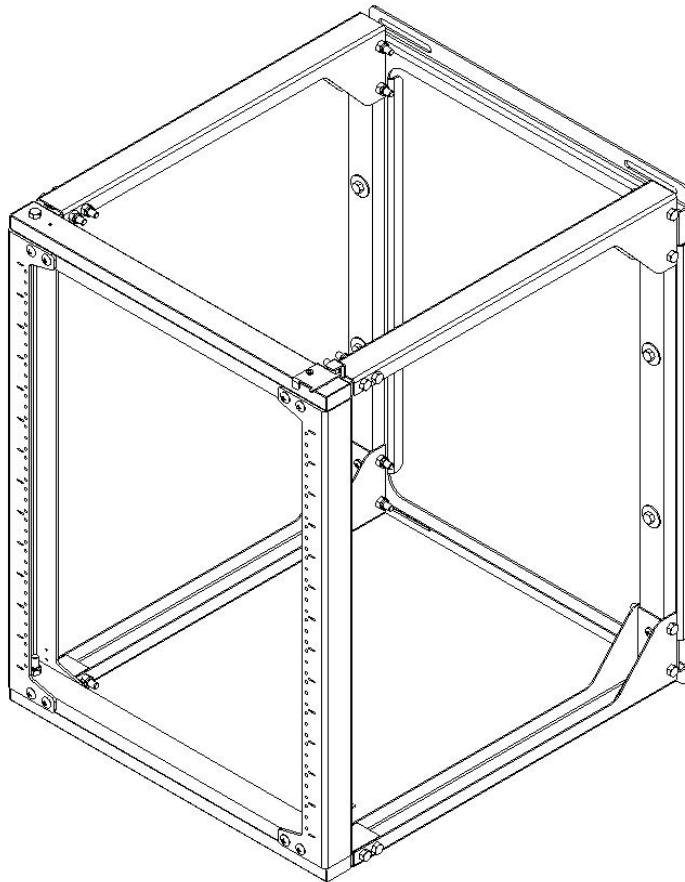


WMP

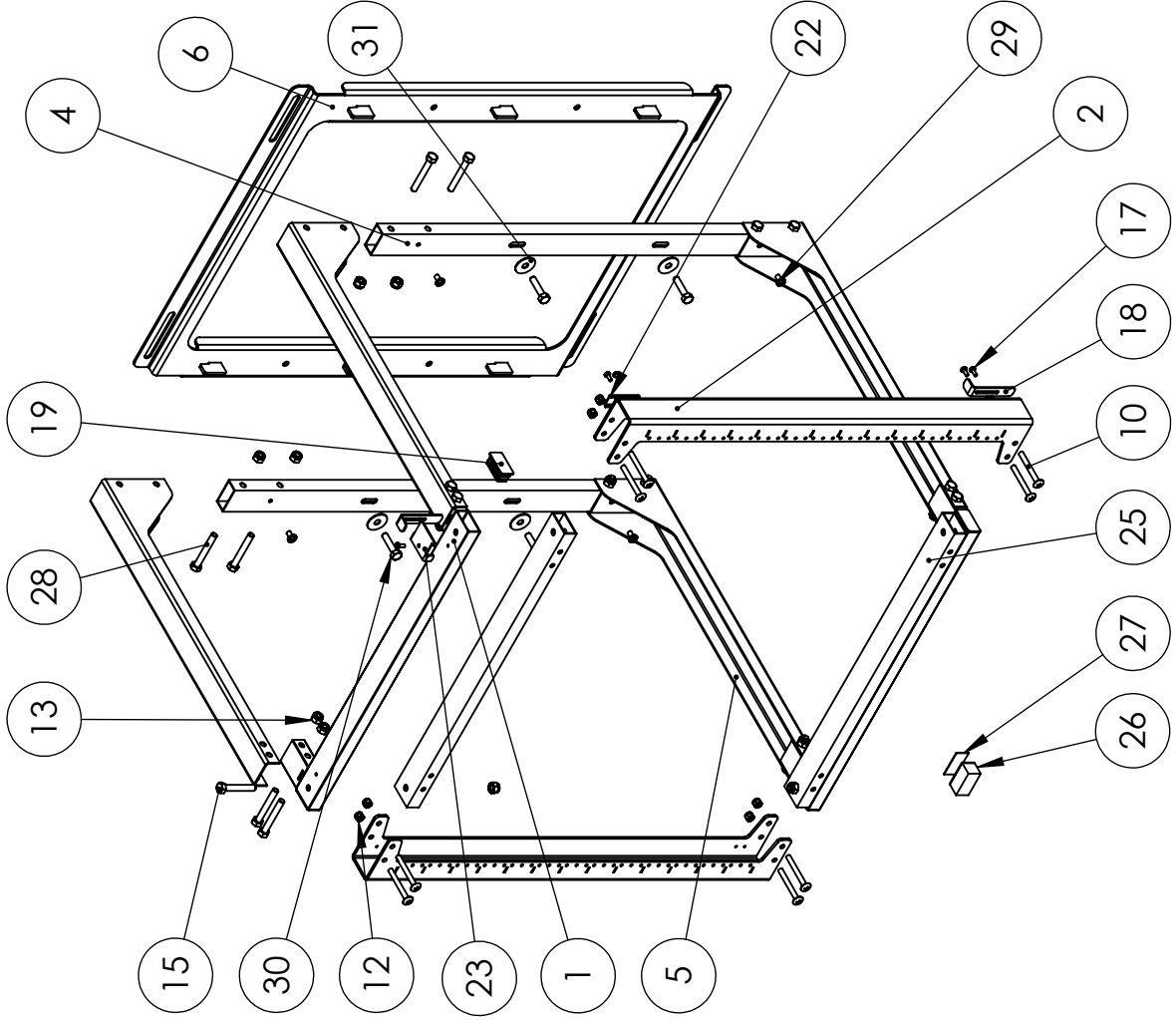
VIDEO MOUNT PRODUCTS

Instruction Sheet For:
ER-W24

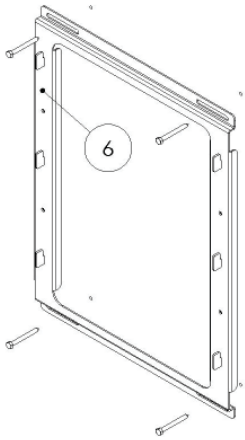


For more information, please contact us at:
345 Log Canoe Circle, Stevensville, Maryland 21666
Toll Free: 877.281.2169 Phone: 410.643.6390 Fax: 410.643.6615
www.videomount.com

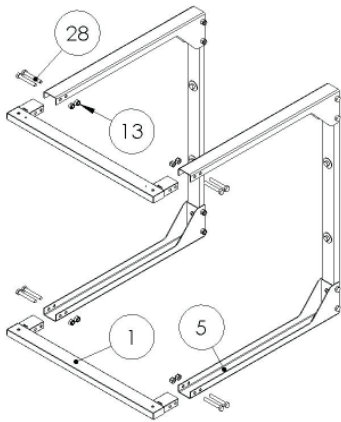
ER-W24



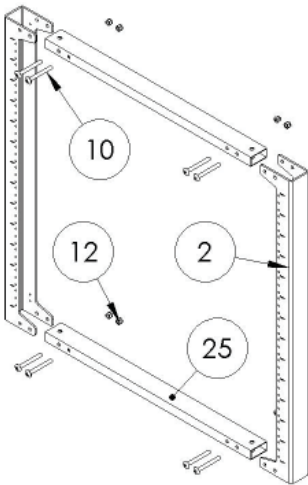
ITEM NO.	DESCRIPTION	QTY.
1	Support Bar	2
2	Rack Rail	2
4	Vertical Supports	2
5	Wall Arm Support	4
6	Wall Plate	1
10	Screw 1/4" - 20UNC*L2.25"	8
12	Nylon Nut 1/4" - 20UNC	8
13	Nylon Nut 5/16" - 18UNC	18
15	Hex Screw 5/16" - 18UNC*2"	2
17	Screw M4*P0.7*L10	5
18	Slide Lock	2
19	End Plug	4
22	Top Catch	1
23	Top Stop	1
25	Horizontal Support	2
26	Magnetic Level	1
27	Magnetic Pad	1
28	Hex Screw 5/16" - 18UNC*L2.5"	16
29	Screw M6*P1.0*L10	4
30	Hex Screw 5/16" - 18UNC*L35mm	4
31	Washer ϕ 5/16" * ϕ 29*T1.6	4



Step 2: Mounting the wall plate
(Lag screws are not included)



Step 3: Attaching the support bars



Step 4: Creating the rack rail frame



Step 1

Before starting, lay out all parts to your mount and match them to the parts list provided. Verify that you have all your parts before attempting to assemble the mount.

Step 2

Mark the wall or desired mounting surface in preparation of installation of wall mounting plate (6). Pre-drill if necessary and mount wall plate (6) to desired surface.

Warning: Please verify that your mounting surface will support the combined weight of your equipment, equipment rack and mounting hardware. Also verify that the mounting surface is safe to drill through. If in doubt, please contact a professional installer.

Step 3

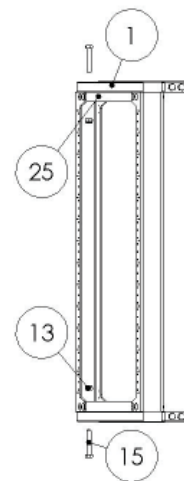
Attach the support bars (1) to the wall arm supports (5) making sure the threaded holes in the support bars are point out from the center of the rack. Use the 2.25" long 5/16" screws (28) and nylon nuts (13) to attach the support bars to the wall arm supports (5).

Step 4

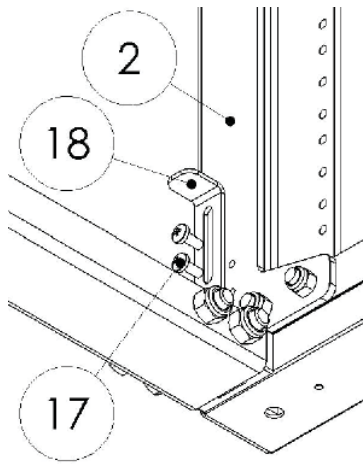
Create the rack rail frame by attaching the rack rails (2) to the horizontal supports (25) using the 1/4" screws (10) and nylon nuts (12).

Step 5

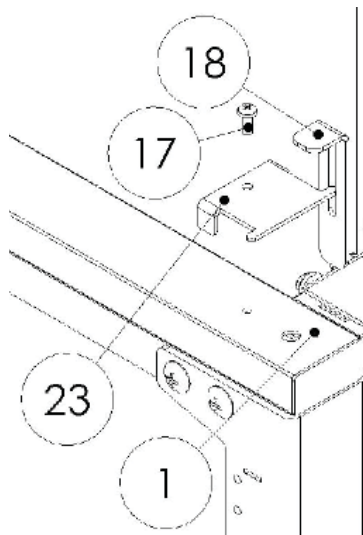
Attach the rack rail frame (25) to the support bars (1) using the 2" long 5/16" screws (15) and nylon nuts (13).



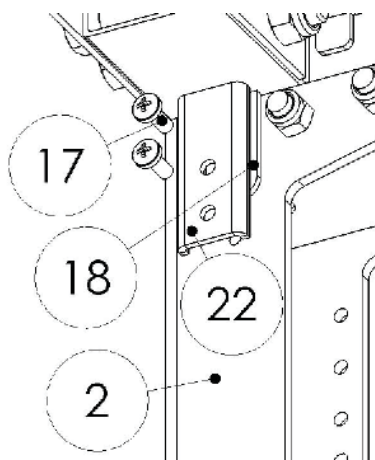
Step 5: Attaching the rack rail frame to the support bars



Step 6: Attaching the bottom slide lock



Step 7: Attaching the top slide lock



Step 8: Attaching the top catch

Step 6

Attach the bottom slide lock (18) to the rack rail (2) opposite the pivot point using the M4 screws (17). To lock the bottom lock simply slide the slide lock (18) into the slot in the support bar (1).

Step 7

Take the top stop (23) and point it so the side with the downward ears is closest to the pivot point. Take the slide lock (18) and place the flat ear on the top stop (23) closest to the wall into the slot in the slide lock. Slide the slide lock (18) into the slot cut into the top support bar (1) on the side opposite of the pivot point and secure the top stop (23) to the support bar using the M4 screw (17).

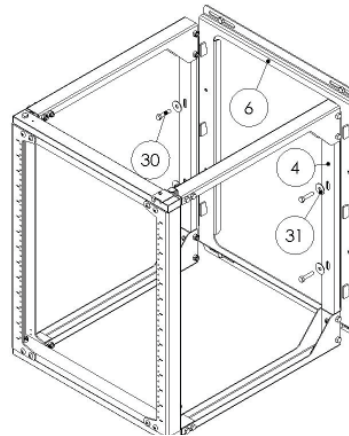
Step 8

Take the top catch (22) and attach it to the rack rail (2) on the side with the slide lock (18) using the M4 screws (17).

Step 9

Lift the vertical supports (4) onto the tabs coming out of the wall plate (6). Pull the vertical supports down onto the tabs as far as possible. Secure the vertical supports to the wall plate using the short 5/16" hex screws (30) and washers (31).

Please verify that all nuts and screws are securely tightend.



Step 9: Attaching the vertical supports to the wall plate

Enjoy Your Mount!

WARNING: The installer of these products must verify that the mounting surface, ceiling or wall, will safely support the combined weight of all attached equipment and hardware. Video Mount products will not be held liable for the improper use or installation of its products.