

AK-1PT

Adaptor Kit To Convert To 1.5" NPT
Pipe With Cable Pass-Through

Product Features:

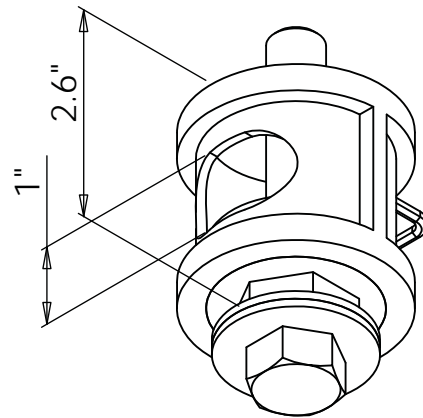
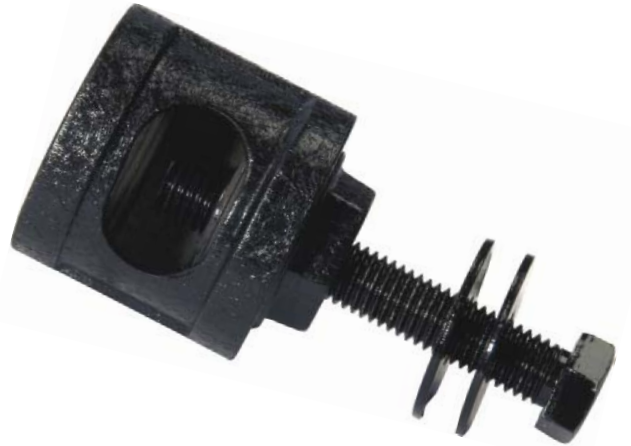
Adaptor Kit for PM Series, LCD-1CB and LCD-2537CB
to be used with standard 1.5" NPT pipe

Cable pass-through allows cable management
through center of masting

Product Specifications:

(for Architects & Engineers)

The adaptor kit for models PM Series, LCD-2537CB, and LCD-1CB shall be a Video Mount Products (VMP) AK-1PT. The adaptor shall allow the mount to accept 1.5" NPT pipe to allow for longer ceiling mast lengths. The adaptor shall have a cable pass through to allow cable to be pass in the center of the pipe. Used in conjunction with the CP-1PT (Ceiling Plate).



Video Mount Products

345 Log Canoe Circle
Stevensville, MD 21666
Toll Free: 877.281.2169
Telephone: 410.643.6390
Facsimile: 410.643.6615
www.videomount.com

VMP
VIDEO MOUNT PRODUCTS