

CP-2

Ceiling Plate For Standard 1" NPT Pipe

Product Features:

Universal ceiling flange works with all manufacturer's mounting systems when using standard 1" NPT pipe

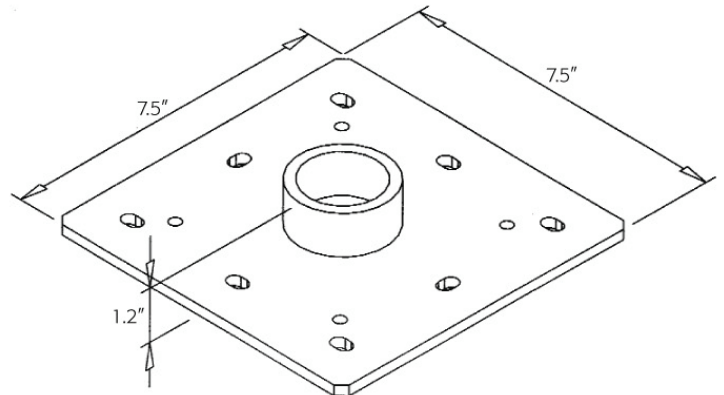
Provides base for ceiling installations

Black powder coat finish

Product Specifications:

(for Architects & Engineers)

The ceiling plate to accept 1" NPT plumbing pipe shall be Video Mount Products (VMP) model CP-2. Universal ceiling flange works with all manufacturer's mounting systems when using 1" NPT plumbing pipe. The ceiling plate provides a mounting base for ceiling installations. (Can be used in conjunction with AK-2)



Video Mount Products

345 Log Canoe Circle
Stevensville, MD 21666
Toll Free: 877.281.2169
Telephone: 410.643.6390
Facsimile: 410.643.6615
www.videomount.com

VMP
VIDEO MOUNT PRODUCTS