

# EXT-4872

1.5" NPT Telescoping Extension – 48" to 72"

## Product Features:

Works with VMP ceiling mounts that use or have been adapted to use 1.5" NPT pipe

Works with any manufacturer's ceiling mounts which use 1.5" NPT pipe

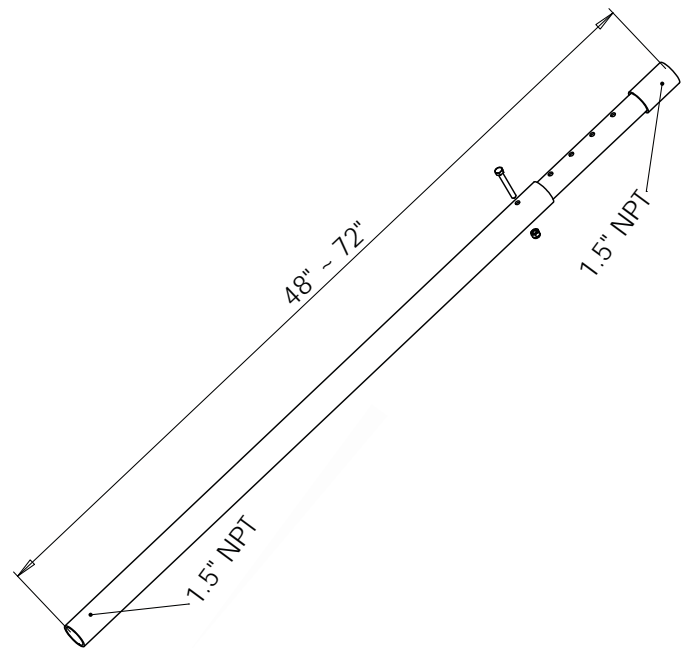
Adjustable from 48" to 72"

Black powder coat finish

## Product Specifications:

*(for Architects & Engineers)*

The telescoping extension shall be the Video Mount Products (VMP) EXT-4872. The extension shall be made of 1.5" NPT pipe. The extension shall be capable of adjusting from 48" to 72". The extension shall have predrilled holes every two inches. The extension shall be able to integrate with any manufacturer's mount which uses 1.5" NPT pipe.



## Video Mount Products

345 Log Canoe Circle

Stevensville, MD 21666

Toll Free: 877.281.2169

Telephone: 410.643.6390

Facsimile: 410.643.6615

[www.videomount.com](http://www.videomount.com)

**VMP**  
VIDEO MOUNT PRODUCTS