

# EXT-A

Extension Pipe

## Product Features:

Acts as an inline splice to extend drop length of LCD-2537C and PM Series (except PM-LP) by up to 28" (can be cut to length)

31" Tempered steel mast

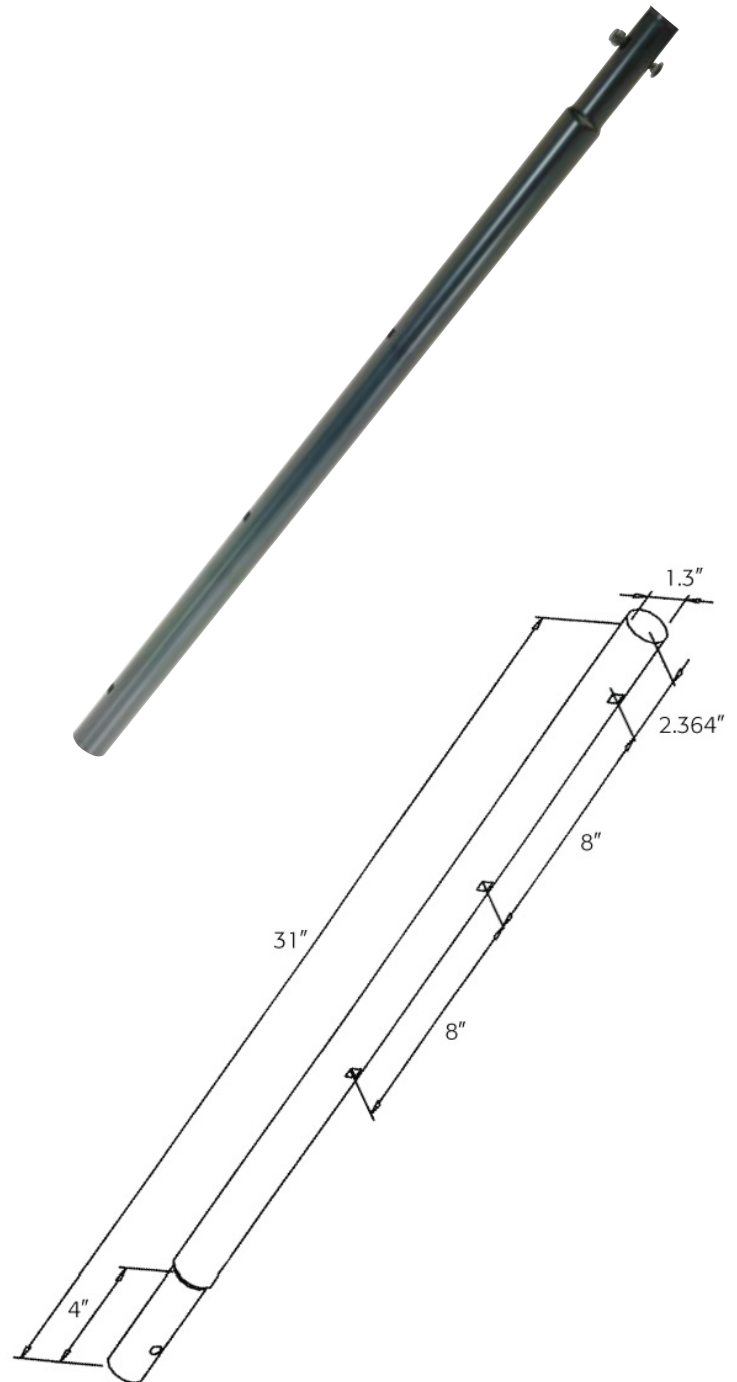
Black powder coat finish

## Product Specifications:

*(for Architects & Engineers)*

The extension pipe to extend the drop length of the LCD-2537C and PM Series shall be the Video Mount Products (VMP) EXT-A. The extension pipe shall be 31" in length and shall be tempered steel. The extension pipe shall have pre-drilled holes every 8" and shall integrate with the mast provided in the afore mentioned mounts.

The mast shall add up to 28" of additional adjustable mast length.



## Video Mount Products

345 Log Canoe Circle

Stevensville, MD 21666

Toll Free: 877.281.2169

Telephone: 410.643.6390

Facsimile: 410.643.6615

[www.videomount.com](http://www.videomount.com)

**VMP**  
VIDEO MOUNT PRODUCTS