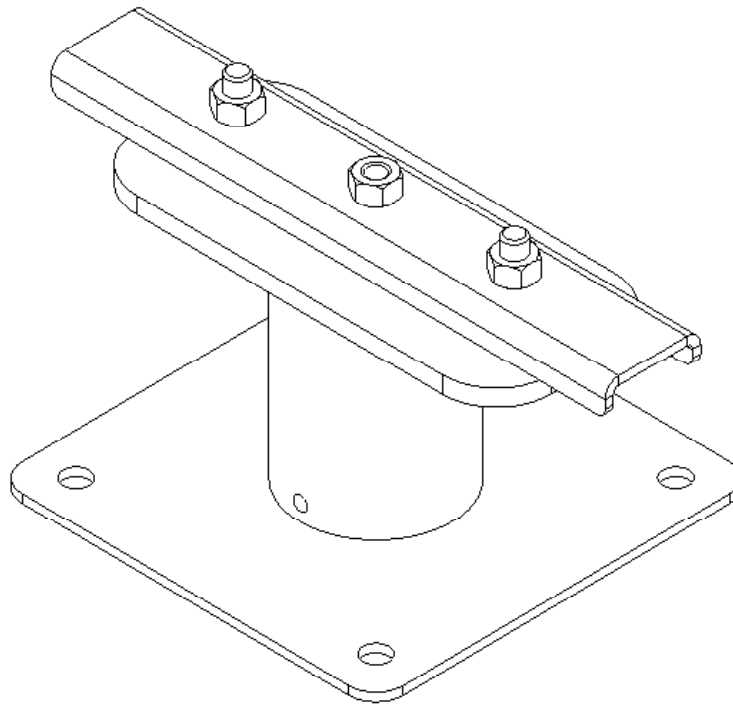


WMP

VIDEO MOUNT PRODUCTS

Instruction Sheet For:

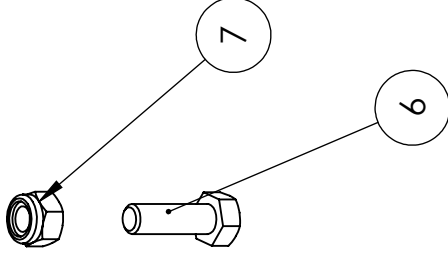
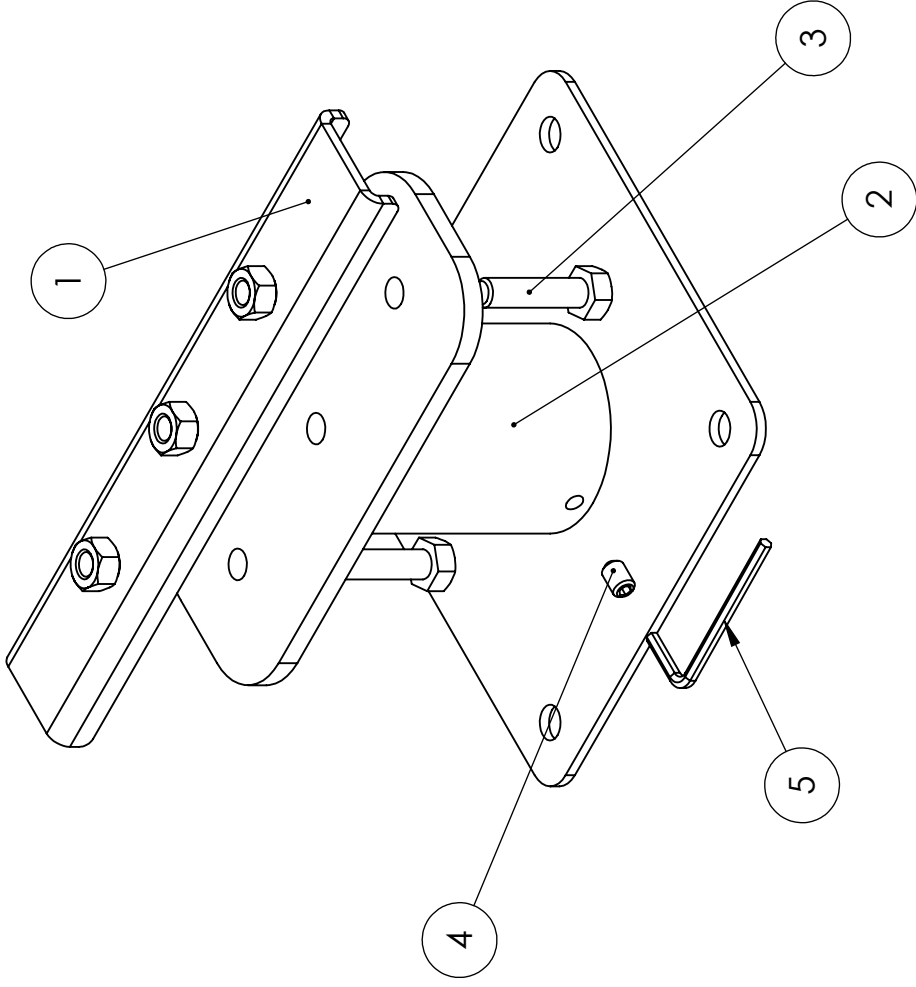
UA-1

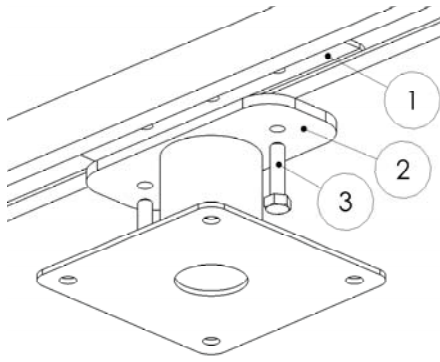


For more information, please contact us at:
345 Log Canoe Circle, Stevensville, Maryland 21666
Toll Free: 877.281.2169 Phone: 410.643.6390 Fax: 410.643.6615
www.videomount.com

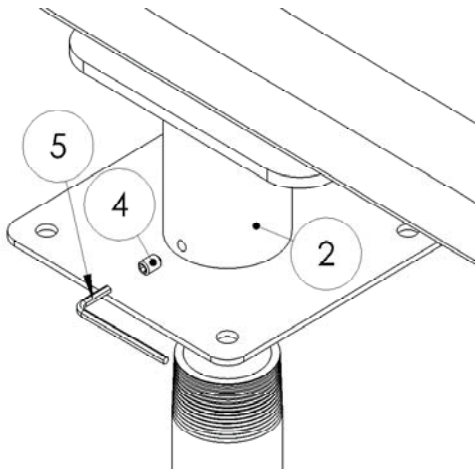
UA-1

ITEM NO.	DESCRIPTION	QTY.
1	Top Piece	1
2	Pipe Couple	1
3	Hex Screw 5/16" - 18UNC*L1.25"	2
4	Brake Screw 1/4" - 20UNC*L3/8"	1
5	M3 Allen Key	1
6	Screw 5/16" - 18UNC*L1"	4
7	Nylon Nut 5/16" - 18UNC	4





Step 2: Attaching the Pipe Couple to Unistrut



Step 3: Attaching 1.5" NPT to the Pipe Couple

Step 1

Before starting, lay out all parts to your mount and match them to the parts list provided. Verify that you have all your parts before attempting to assemble the mount.

Step 2

Insert the Top Piece (1) into the 1-5/8" Unistrut member. Attach the Pipe Couple (2) to the Top Piece (1) using the 5/16" by 1.25" screws (3).

Step 3

If you are using 1.5" NPT pipe:

Screw the pipe into the bottom of the Pipe Couple (2). Secure the pipe from turning by screwing in the brake screw (4) with the Allen Key (5) as tight as possible.

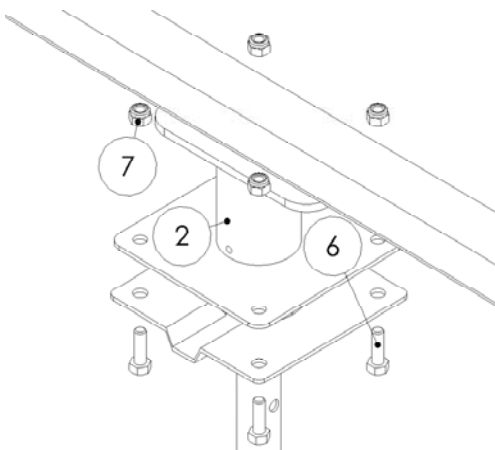
WARNING: To prevent possible injury that could occur if the 1.5" NPT pipe turns out of the Pipe Couple (2) please verify that you have tightened the brake screw (4) as far as possible

Step 4

If you are using a VMP ceiling mast:

Attach the desired ceiling mast to the plate at the bottom of the Pipe Couple (2) by using the 5/16" by 3/8" long screws (6) and nylon nuts (7).

Please verify that all nuts and screws are securely tightened.



Step 4: Attaching a ceiling mast to the Pipe Couple

Enjoy Your Mount!

WARNING: The installer of these products must verify that the mounting surface, ceiling or wall, will safely support the combined weight of all attached equipment and hardware. Video Mount products will not be held liable for the improper use or installation of its products.