

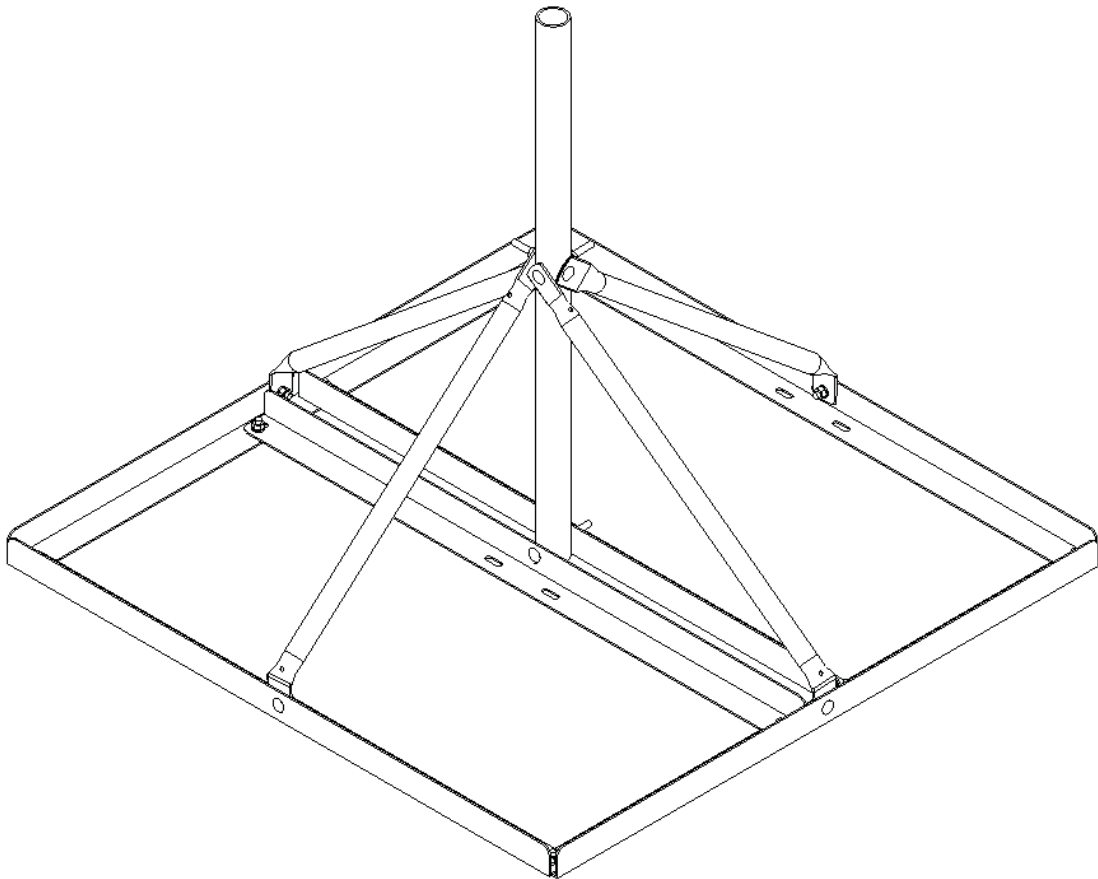
# **WMP**

VIDEO MOUNT PRODUCTS

*Instruction Sheet For:*

## **FRM SERIES**

---

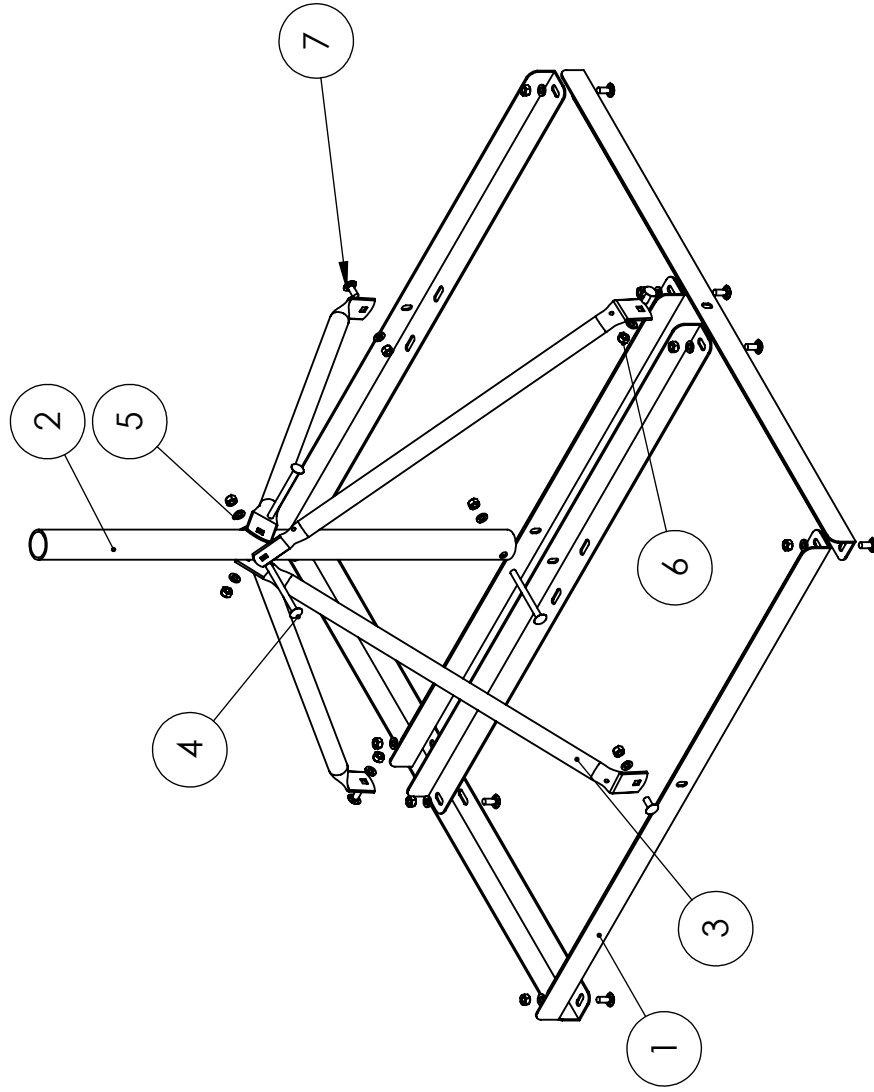


---

*For more information, please contact us at:*  
345 Log Canoe Circle, Stevensville, Maryland 21666  
Toll Free: 877.281.2169 Phone: 410.643.6390 Fax: 410.643.6615  
[www.videomount.com](http://www.videomount.com)

# FRM-Series

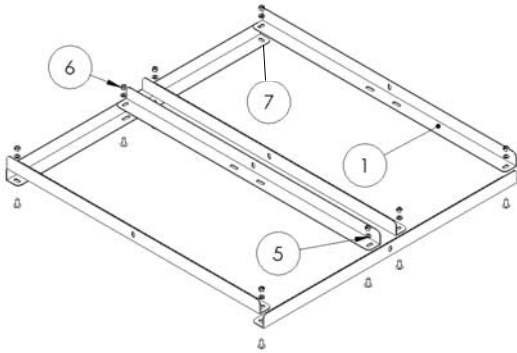
ITEM NO.	DESCRIPTION	QTY.
1	Stand Bar	6
2	Support Tube	1
3	Support Arm	4
4	Screw 5/16"-18UNC*L3.5"	3
5	Lock Washer 5/16"	15
6	Hex Nut 5/16"-18UNC	15
7	Screw 5/16"*18UNC*L3/4"	12



### Step 1

Before starting, lay out all parts to your mount and match them to the parts list provided. Verify that you have all your parts before attempting to assemble the mount.

**Note:** It is highly recommended that the installation of this mount be done by a professional.



Step 2: Assembling the sled

### Step 2

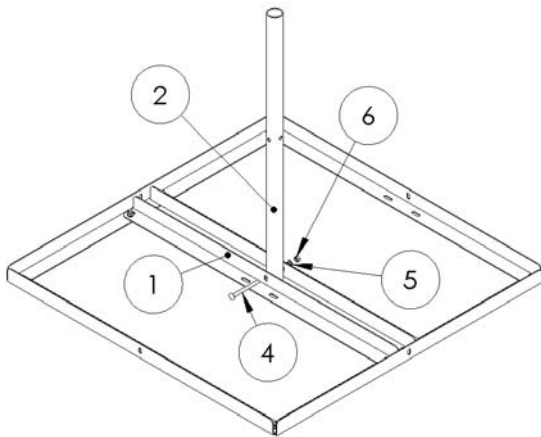
Assemble the stand bars (1) creating two wells as show in the image to the left using the short screws (7), lock washers (5) and nuts (6).

### Step 3

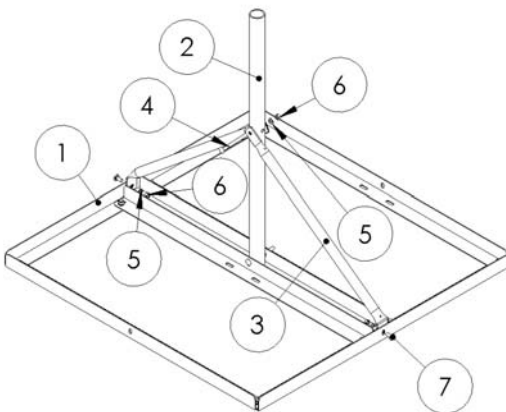
Attach the support tube (2) in the center of the middle stand bars (1) using the long screw (4), lock washers (5) and nuts (6).

### Step 4

Locate the holes which are lower on the support tube (2). Select two arms (3) and place them so the arms (3) are connecting to the stand bars (1) that are 90 degrees rotated from the lower set of holes in the support tube (2). Use the short screws (7), lock washer (5) and nut (6) to attach the arms to the stand bar (1). Line up the holes on the arms (3) with the lower set of holes in the support tube (2) and use the long screw (4), lock washer (5) and nut (6) to connect them together.



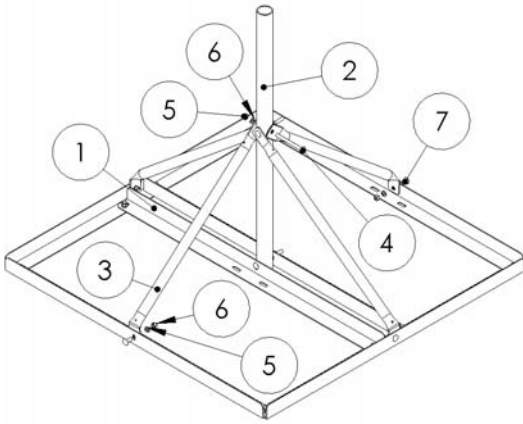
Step 3: Attaching the support tube



Step 4: Attaching the arms to the lower arms in the support tube

### Step 5

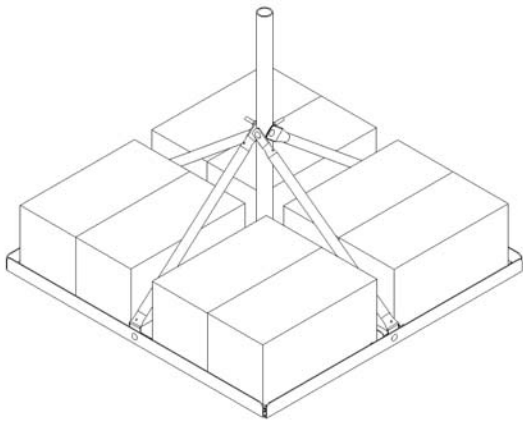
Locate the holes which are higher on the support tube (2). Select two arms (3) and place them so the arms (3) are connecting to the stand bars (1) that are 90 degrees rotated from the higher set of holes in the support tube (2). Use the short screws (7), lock washer (5) and nut (6) to attach the arms to the stand bar (1). Line up the holes on the arms (3) with the higher set of holes in the support tube (2) and use the long screw (4), lock washer (5) and nut (6) to connect them together.



Step 5: Attaching the arms to the higher arms in the support tube

### Step 6

Load ballast (weight placed in the sled to weigh down the non-penetrating mount) as required for the application. **WARNING: It is highly recommended that you load ballast before attaching any dish or antenna to the non-penetrating roof mount. It is up to the installer to verify the correct amount of ballast for the installation.** You can use roof pads to protect the surface of the support surface. It is important that the underlying roof structure be strong enough to resist whatever forces that may be subjected to it from the antenna/satellite dish system and mount. For extreme weather conditions it is recommend that this mount be tethered with a cable. **It is up to the installer to verify that the installation meets all applicable codes and standards. Video Mount Products does not accept any responsibility for verifying FRM mounts will work for any given installation.**



Step 6: Loading ballast into the sled

**VMP**  
VIDEO MOUNT PRODUCTS

***Enjoy Your Mount!***

**WARNING: The installer must verify the installation meets all applicable codes and survival requirements. Video Mount Products will not be held liable for the improper use or installation of its products.**