

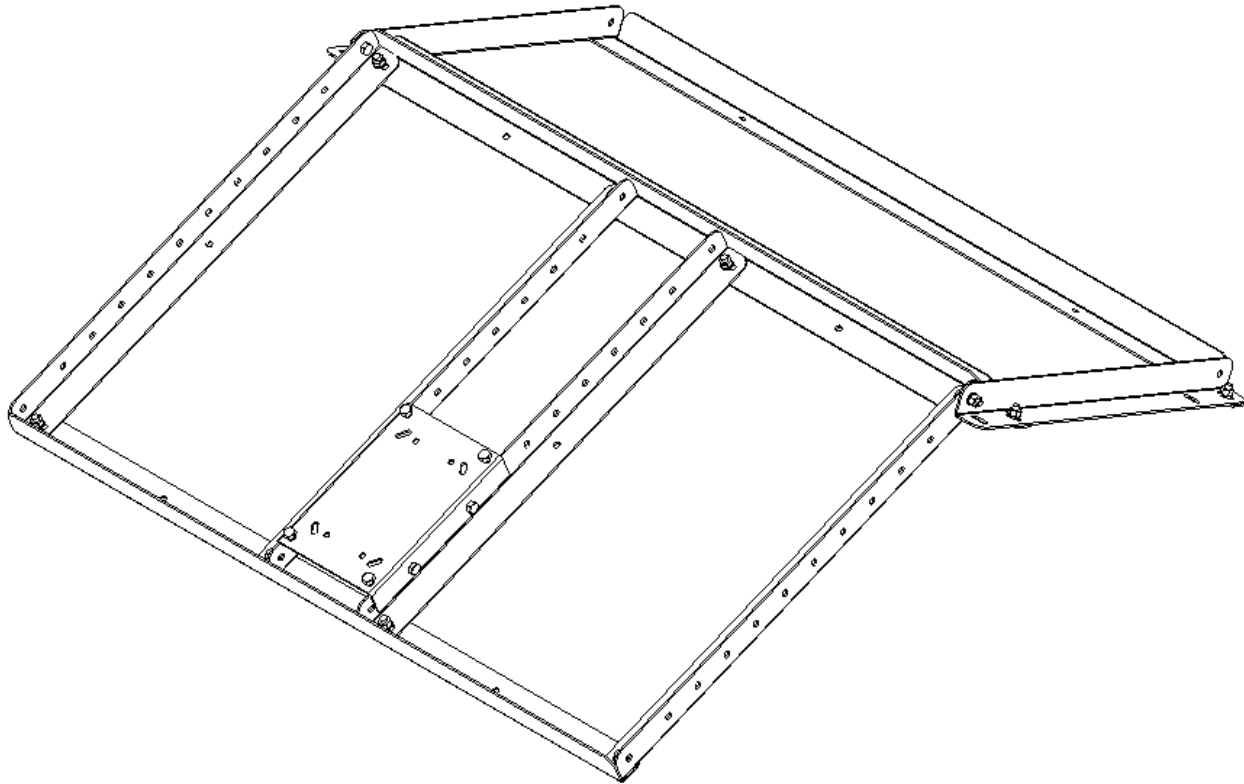
# **WMP**

VIDEO MOUNT PRODUCTS

*Instruction Sheet For:*

## **PRM-2**

---

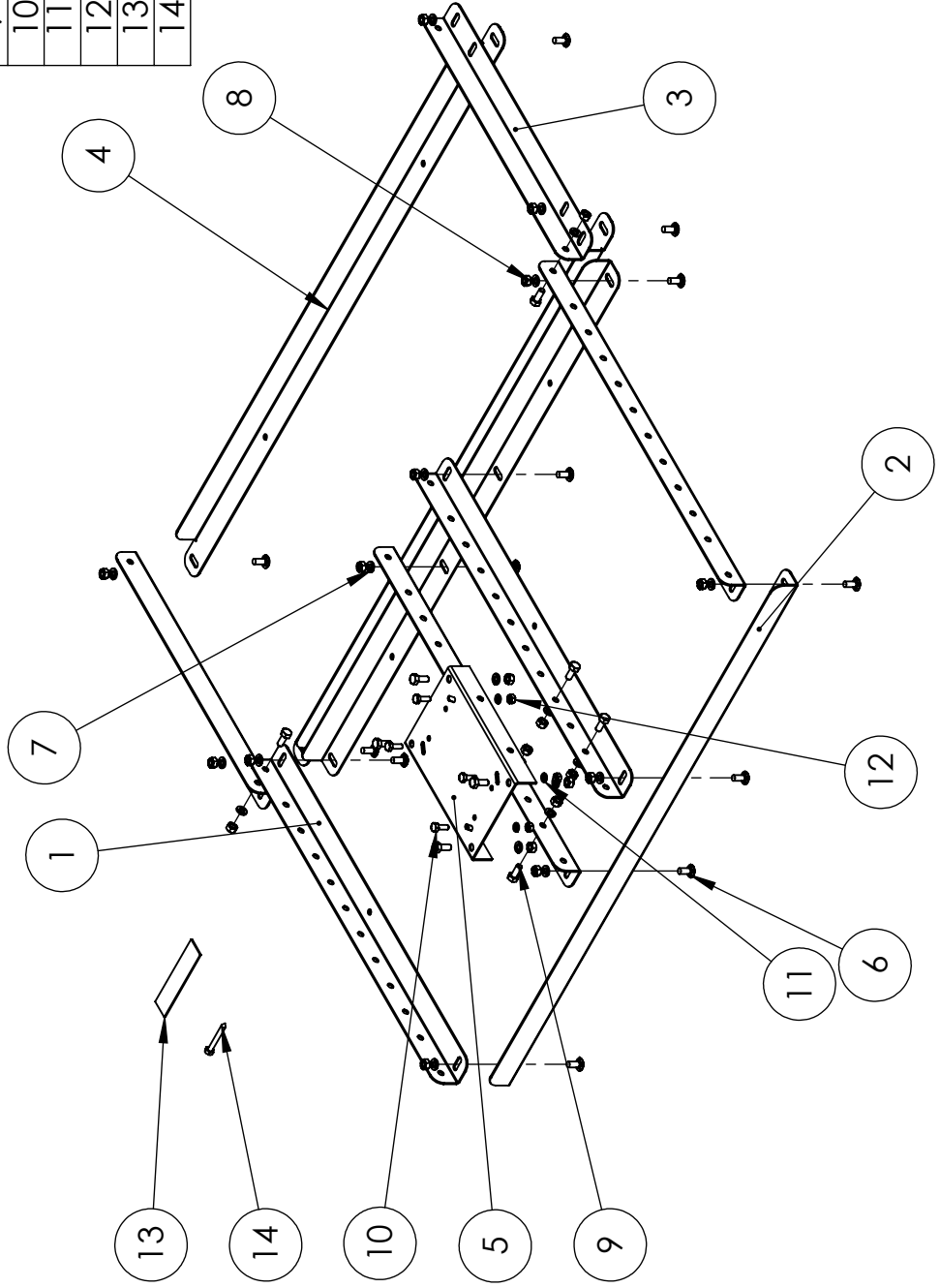


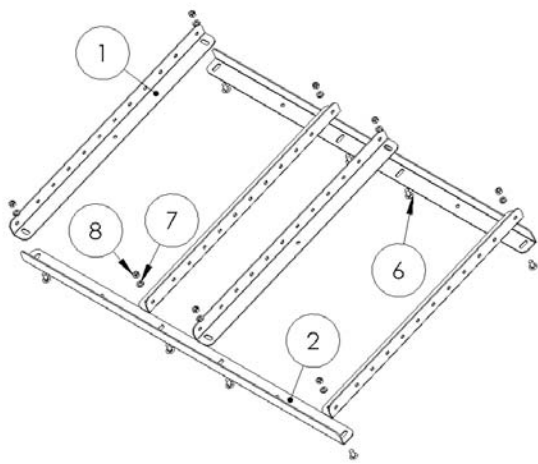
---

*For more information, please contact us at:*  
345 Log Canoe Circle, Stevensville, Maryland 21666  
Toll Free: 877.281.2169 Phone: 410.643.6390 Fax: 410.643.6615  
[www.videomount.com](http://www.videomount.com)

# PRM-2

ITEM NO.	DESCRIPTION	QTY.
1	Rail A	4
2	Rail B	2
3	Rail C	2
4	Rail D	2
5	Mount Plate	1
6	Screw 5/16" - 18UNC*L1"	12
7	5/16" Spring Lock Washer	22
8	Hex Nut 5/16" - 18UNC	22
9	Screw 5/16" - 18UNC*L1"	10
10	Screw 1/4" - 20UNC*L1"	4
11	1/4" Spring Lock Washer	4
12	Hex Nut 1/4" - 20UNC	4
13	Pitch Pad	4
14	Screw 1/4"*L2"	4





Step 2: Assembling the front wells

### Step 1

Before starting, lay out all parts to your mount and match them to the parts list provided. Verify that you have all your parts before attempting to assemble the mount. **Note: It is highly recommended that the installation of this mount be done by a professional.**

### Step 2

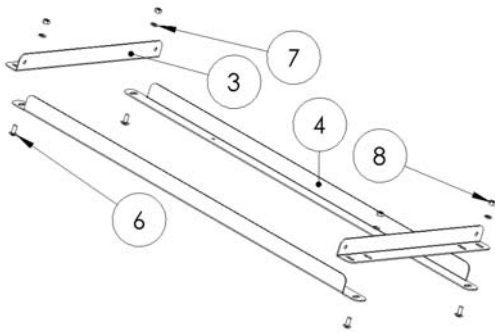
Assemble the front pad by taking both of the rails B (2) and place them horizontally so that the flaps with the slots cut into them pointing towards each other and are touching the ground. Then take two rails A (1) and place them on top of the left most slots cut into the rails B (2) so that the rail A slots mate up with the rail B slots and so that the rail A's flaps are pointing towards each other. Do the same for the right most slots on the rails B. Join the four rails together with the square neck screws (6), lock washers (7) and nuts (8).

### Step 3

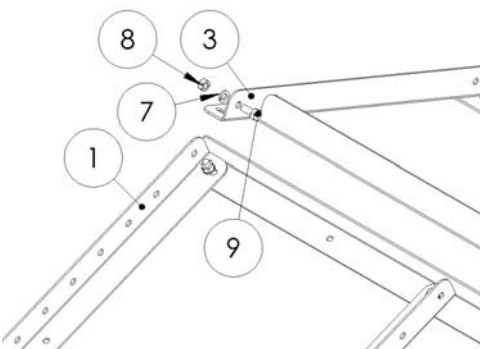
Assemble the rear pad by taking both rails D (4) and placing them horizontally with the longer flaps down and pointing towards each other. Take a rail C (3) and place it so the flap with the slots cut in is pointing out from the well and so that the first and third slots mate with the slots in the rails D. Do the same for the other side and use the square neck screws (6), lock washers (7) and nuts (8) to join the four rails together.

### Step 4

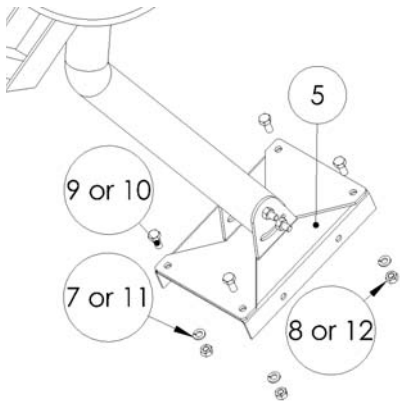
Connect the two sets of pads together using the hex head 5/16" screws (9), lock washers (7) and nuts (8).



Step 3: Assembling the rear well



Step 4: Connecting the front and rear wells



Step 5: Attaching the satellite footplate to the mount plate

### Step 5

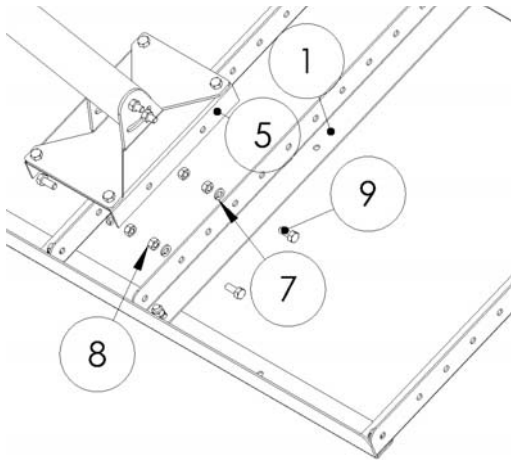
Attach the satellite dish footplate to the mount plate (5) using the correct size hex head screw (9 or 10), lock washer (7 or 11) and nut (8 or 12).

### Step 6

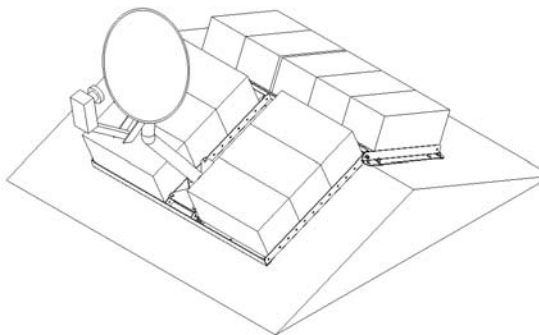
Attach the mount plate (5) to the middle most rails A (1) at the desired proximity to the pivot point using the 5/16" hex head screw (9), lock washer (7) and nut (8).

### Step 7

Place assembly on the peak of the roof. Load ballast (weight placed into the sled to weigh down the non-penetrating roof mount) into the front and rear wells as required for the application. **Note: It is the installer's responsibility to verify the correct amount of ballast for the given application.** Verify that all nut and screws are completely and securely tightened. Roof mats can be purchased to protect the roof surface is so desired/required. It is important that the underlying roof structure be strong enough to resist whatever forces that may be subjected to it from the satellite dish system and mount. For extreme wind conditions it is recommend the mount be tethered with cable. **It is up to the installer to verify that the installation meets all applicable codes and standards. Video Mount Products does not accept and responsibility for verifying that the PRM-2 will work for any given installation.**



Step 6: Attaching the mount plate to the front wells



Step 7: Placing the assembly on the roof and loading the ballast



**Enjoy Your Mount!**

**WARNING: The customer must verify the installation meets all applicable codes and survival requirements. Video Mount Products will not be held liable for the improper use or installation of its products.**