

PRM-2

Non-Penetrating Pitched Roof Mount

Product Features:

Accommodate an 18" and 24" DBS/DSS antenna

Comes with a pitch pad kit or can hold up to ten 8" x 8" x 16" standard concrete blocks for ballast

Adjustable dish mounting plate

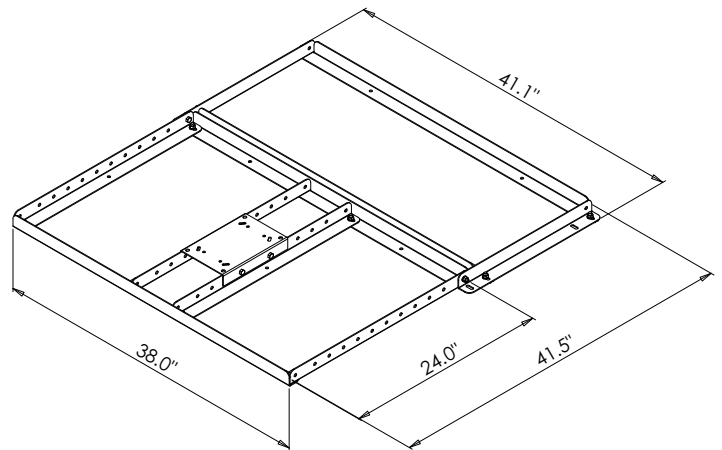
Heavy duty steel construction

Dark gray weather resistant powder coat finish

Product Specifications:

(for Architects & Engineers)

The non-penetrating roof mount for pitched roofs shall be the Video Mount Products (VMP) model PRM-2. The mount shall be constructed angled steel. The mount shall be constructed as to allow up to 11 standard 8" x 8" x 16" concrete blocks to be used as ballast for the mount. The mount shall be able to pivot as to allow the user to add ballast to either side of the peak of the pitched roof. The mount shall also include pitch pad kits as to allow the mount to be attached to the roofing surface if desired. The mount shall be coated with a weather resistant paint.



Video Mount Products

345 Log Canoe Circle

Stevensville, MD 21666

Toll Free: 877.281.2169

Telephone: 410.643.6390

Facsimile: 410.643.6615

www.videomount.com

VMP
VIDEO MOUNT PRODUCTS