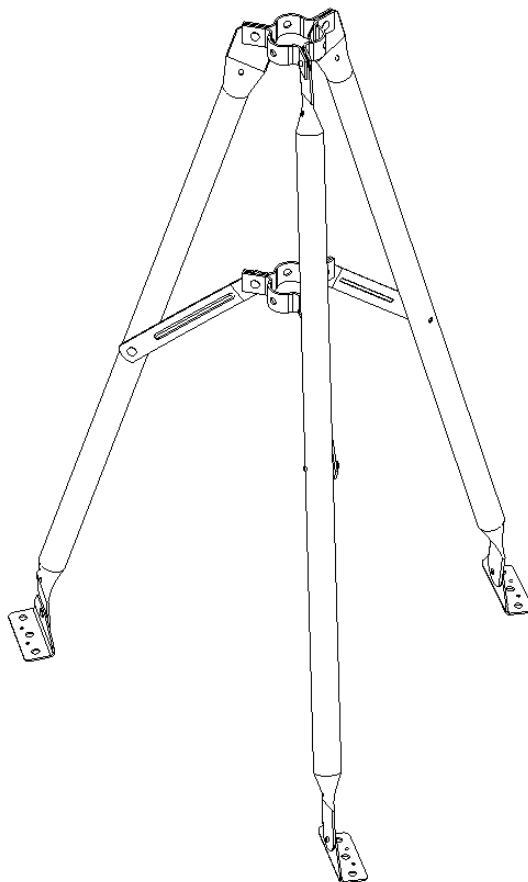


WMP

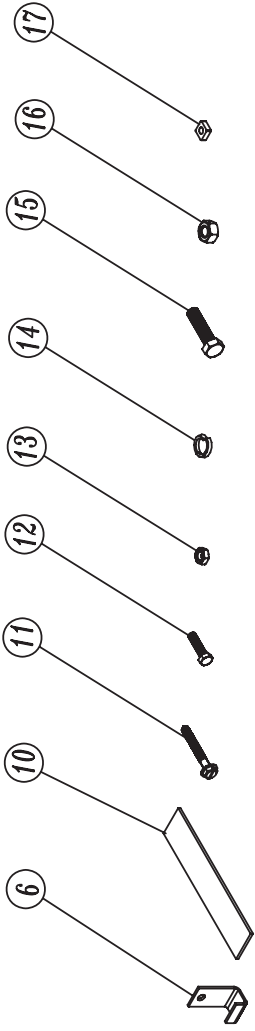
VIDEO MOUNT PRODUCTS

Instruction Sheet For:

TR Series

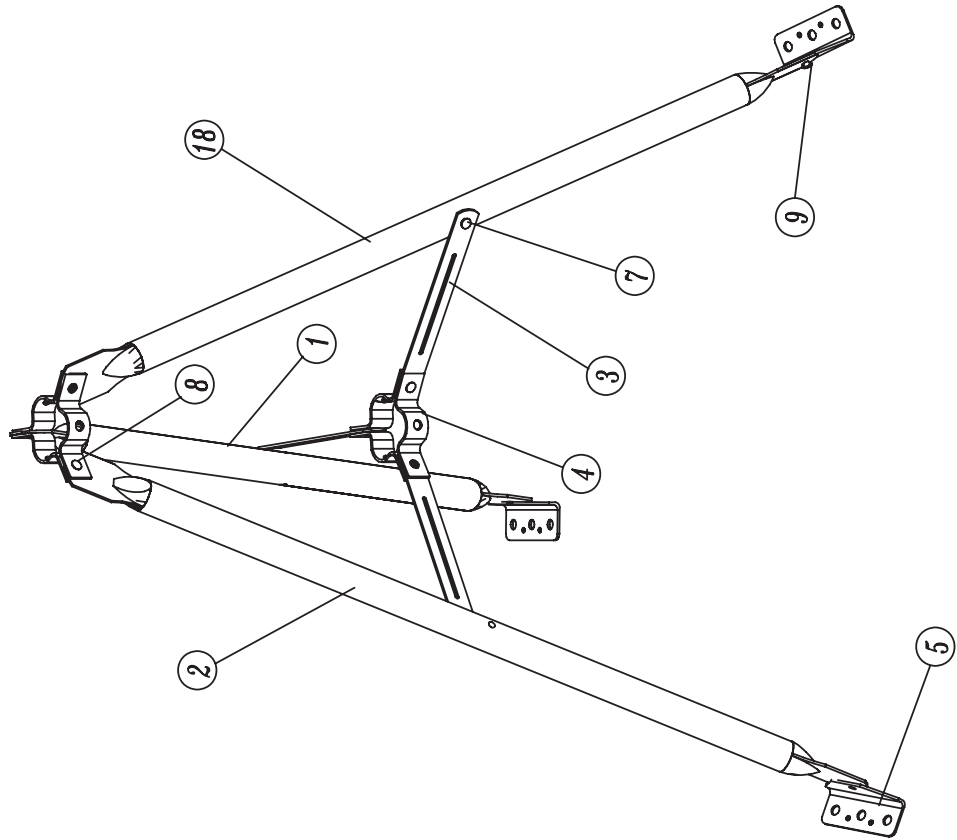


For more information, please contact us at:
345 Log Canoe Circle, Stevensville, Maryland 21666
Toll Free: 877.281.2169 Phone: 410.643.6390 Fax: 410.643.6615
www.videomount.com



*** TR-36 ***

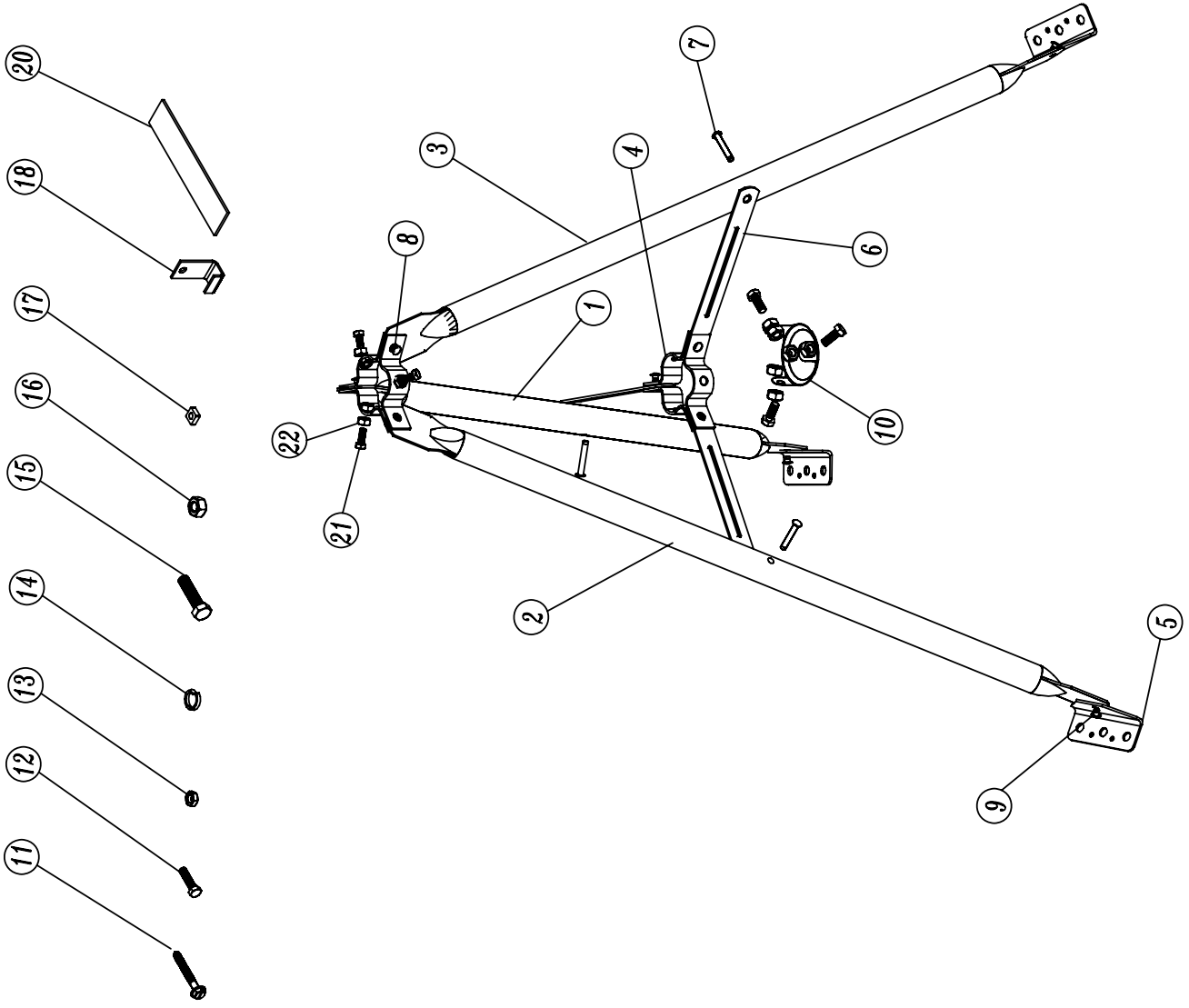
1	STAND POLE A	1
2	STAND POLE B	1
3	METAL STRIP	3
4	"W" METAL STRIP	6
5	FEET METAL PLATE	3
6	"L" METAL PLATE	1
7	RIVET $\phi 6 \times L38$	3
8	RIVET $\phi 6 \times L11$	6
9	RIVET $\phi 6 \times L7$	3
10	ANTI STRIP	3
11	SCREW $1/4" \times L2"$	6
12	SCREW $1/4" - 20 \text{UNC} \times L3/4"$	1
13	NUT $1/4" - 20 \text{UNC}$	1
14	SPRING WASHER $\phi 1/4"$	1
15	SCREW $M8 \times P1.25 \times L30$	6
16	NUT $M8 \times P1.25$	6
17	SQUARE NUT $M8 \times P1.25$	6
18	STAND POLE C	1

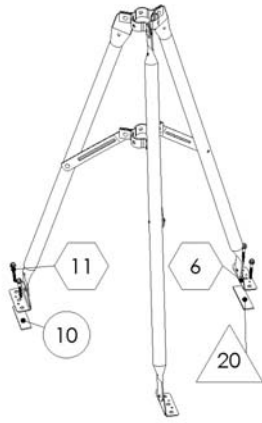


VMP
VIDEO MOUNT PRODUCTS

*** TR-60***

1	STAND POLE A	1
2	STAND POLE B	1
3	STAND POLE C	1
4	"W" METAL STRIP	6
5	FEET METAL PLATE	3
6	METAL STRIP	3
7	RIVET $\phi 6 \times L38$	3
8	RIVET $\phi 6 \times L10$	6
9	RIVET $\phi 6 \times L8$	3
10	LOWER PLATE	1
11	WALL SCREW $1/4 \times L2$ "	6
12	SCREW $1/4 \times 20 \text{UNC} \times L3/4$ "	1
13	NUT $1/4 \times 20 \text{UNC}$	1
14	SPRING WASHER $\phi 1/4$ "	1
15	HEX SCREW $M8 \times P1.25 \times L30$	6
16	NUT $M8 \times P1.25 \times T6.5$	6
17	SQUARE NUT $M8 \times P1.25$	6
18	"L" METAL PLATE	1
20	ANTI STRIP	3
21	HEX SCREW $M8 \times P1.25 \times L25$	6
22	NUT $M8 \times P1.25 \times T4.5$	12





Step 2: Attaching the rear feet

Step 1

Before starting, lay out all parts to your mount and match them to the parts list provided. Verify that you have all your parts before attempting to assemble the mount. **Note: You will not be using all the hardware provided in a single installation.**

Step 2

Mount the two rearmost feet (6 TR-36 and TR-60) to the roof surface using the pitch pads (10 TR-36 / 20 TR-60) underneath the feet and lag screws (11 TR-36 and TR-60) to secure the feet to the roof surface. You may lay the tripod down at this point.

WARNING: To insure a secure installation make sure that the lag screws are secured into a rafter or truss section or some other solid piece of wood. If none are available, then have a person place a large section of 1.5" thick wood on the underside of the locations where the lags are going to come through to provide stable mounting platform for the lags to attach to. Once the lags are through the mounting surface, coat the lag screws with roofing tar or some other suitable sealant to prevent leaks.

If you are going to use the L bracket to hold up the bottom of the mast (TR-36 or TR-60)

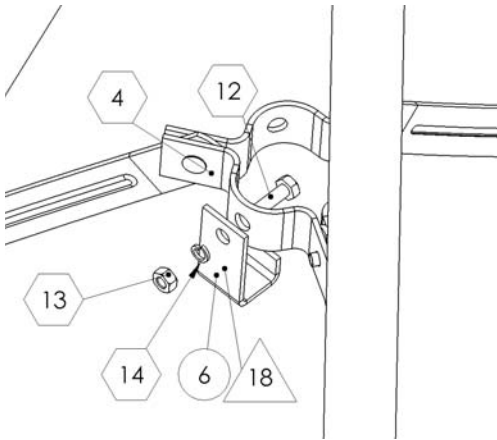
Step 3

Attach the L bracket (6 TR-36 / 18 TR-60) to the bottom ring (4 TR-36 and TR-60) using the 1/4" screw (12 TR-36 and TR-60), lock washer (14 TR-36 and TR-60) and nut (13 TR-36 and TR-60). **Proceed to step 5.**

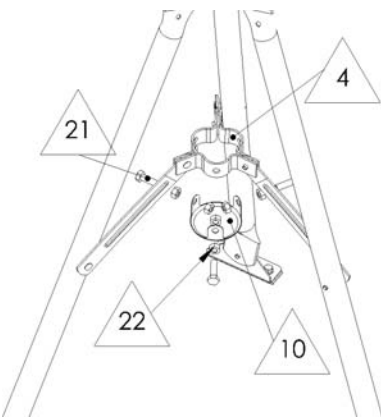
If you are going to use the Lower Plate to hold up the bottom of the mast (TR-60 only).

Step 4

Attach the lower plate (10 TR-60) to the bottom ring (4 TR-60) using the M8 x 25mm long screws (21 TR-60) and a nut (22 TR-60) on the outside of the bottom ring and on the inside of the lower plate.



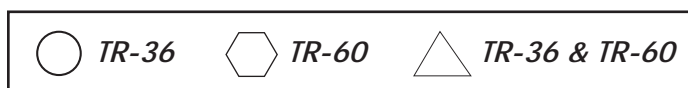
Step 3: Attaching the L bracket

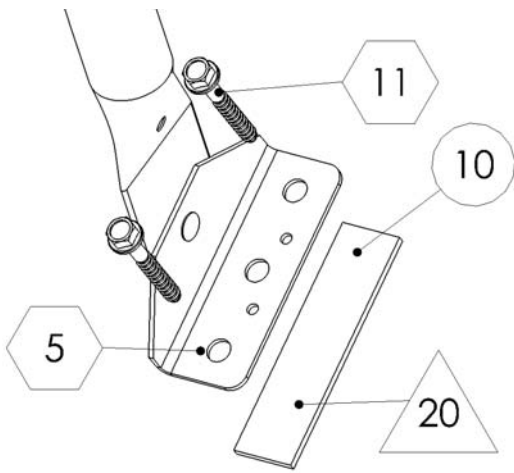


Step 4: Attaching the lower plate




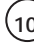
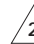

KEY:








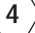


Step 5: Securing the front foot

Step 5


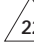
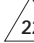

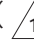
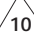
Level out the tripod and secure the front foot ( 5 TR-36 and TR-60) of the tripod using a pitch pad ( 10 TR-36 /  20 TR-60) underneath the feet and lag screws ( 11 TR-36 and TR-60) to secure the feet to the roof surface. **WARNING: To insure a secure installation make sure that the lag screws are secured into a rafter or trust section or some other solid piece of wood. If none are available, then have a person place a large section of 1.5" thick wood on the underside of the locations where the lags are going to come through to provide stable mounting platform for the lags to attach to. Once the lags are through the mounting surface, coat the lag screws with roofing tar or some other suitable sealant to prevent leaks.**

Step 6

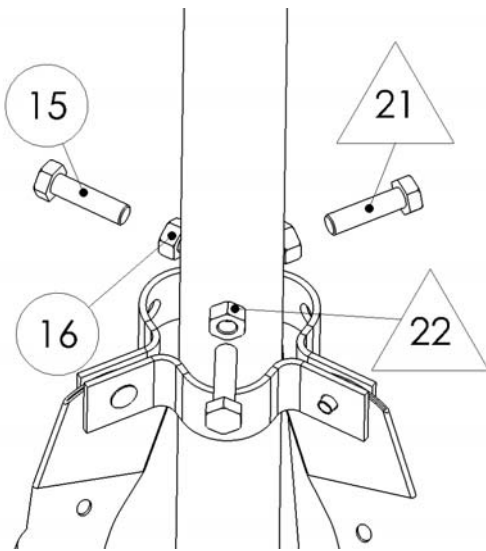
For the TR-36

Secure the antenna mast in the top ring of a TR-36 ( 4 TR-36) using the M8 screws ( 15 TR-36) and either the hex nut or square nuts ( 16 or  17 TR-36). Repeat the process for the bottom ring ( 4 TR-36 and TR-60) if you did not use the L bracket ( 6 TR-36).

For the TR-60

Secure the antenna mast in the top ring of a TR-60 ( 4 TR-60) using the M8 screws ( 21 TR-60) and a hex nut on either side of the ring ( 22 TR-60). Repeat the process for the bottom ring ( 4 TR-60) if you did not use the L bracket ( 18 TR-60) or lower plate ( 10 TR-60).

Please verify that all nuts and screws are tight.



Step 6: Securing the mast in the tripod



Enjoy Your Mount!

WARNING: The installer must verify the installation meets all applicable codes and survival requirements. Video Mount Products will not be held liable for the improper use or installation of its products.