

# ER-148-4PKIT

2 Post Expansion Kit For ER-148

## Product Features:

Standard 10-32 threading in expansion posts

Includes side stabilizing bars

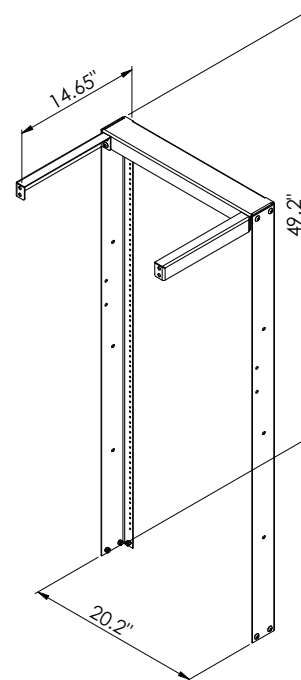
Steel construction

Black static resistant powder coat

## Product Specifications:

*(for Architects & Engineers)*

The 2 post conversion kit for the ER-148 shall be the Video Mount Products (VMP) model ER-148-4PKIT. The kit shall have two rear posts which are #10-32UNF threaded. The kit shall be primarily constructed of formed steel. The kit shall include side stabilizing bars to all hardware necessary to convert the ER-148 to a 4 post rack. The kit shall be painted with a durable black powder coat finish.



## Video Mount Products

345 Log Canoe Circle

Stevensville, MD 21666

Toll Free: 877.281.2169

Telephone: 410.643.6390

Facsimile: 410.643.6615

[www.videomount.com](http://www.videomount.com)

**VMP**  
VIDEO MOUNT PRODUCTS