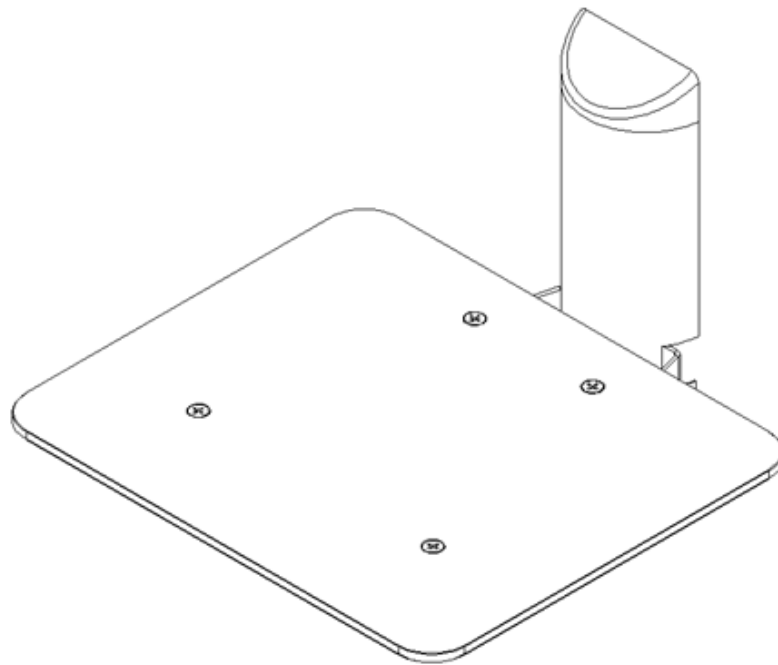




VIDEO MOUNT PRODUCTS

Instruction Sheet For:

CH-001B & CH-002B



For more information, please contact us at:

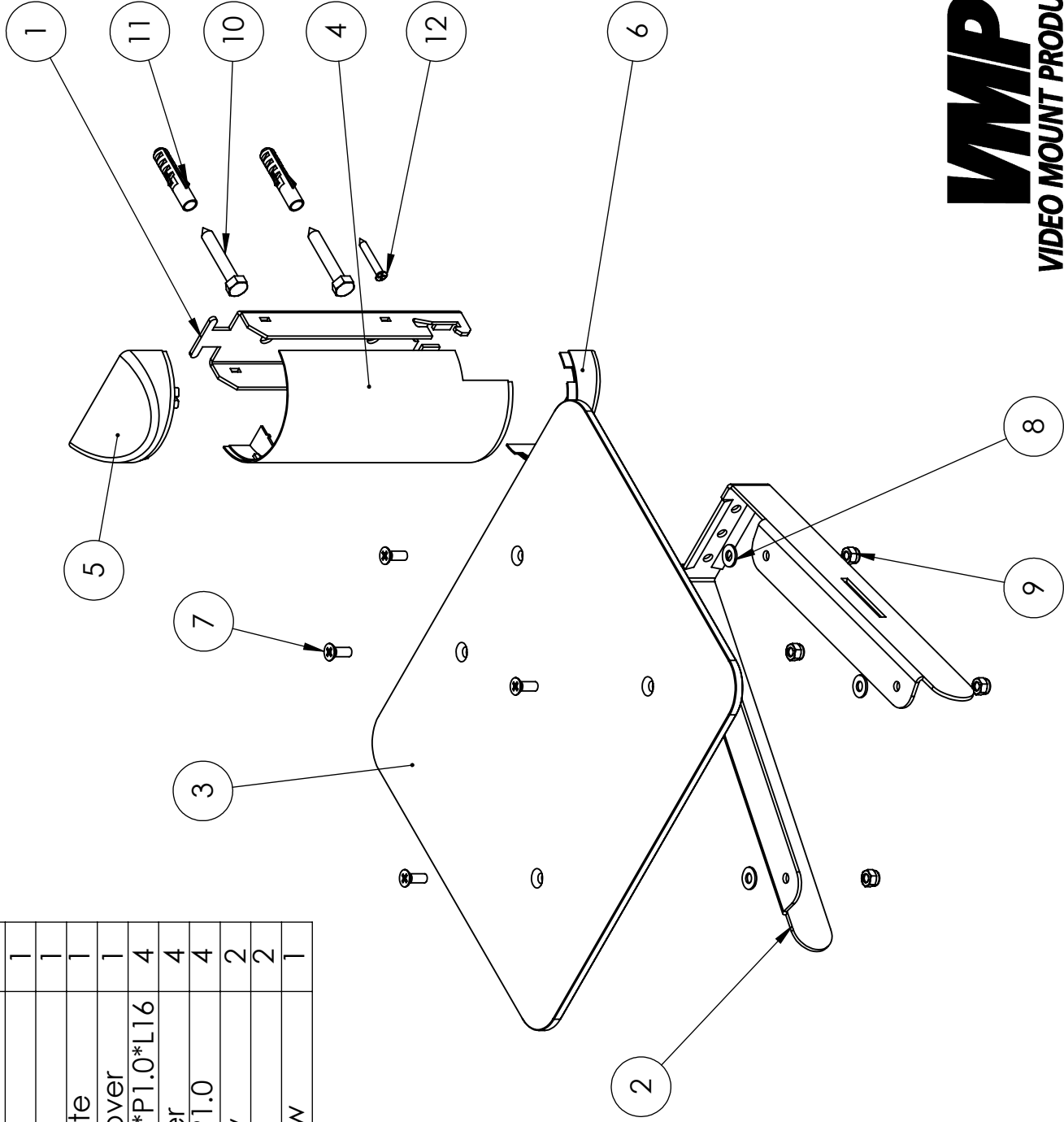
345 Log Canoe Circle, Stevensville, Maryland 21666

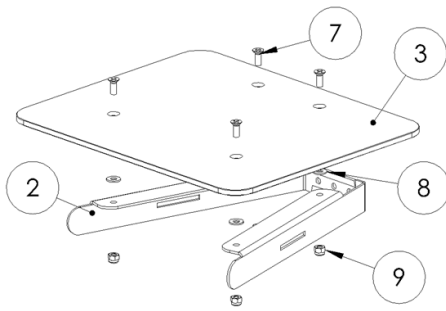
Toll Free: 877.281.2169 Phone: 410.643.6390 Fax: 410.643.6615

www.videomount.com

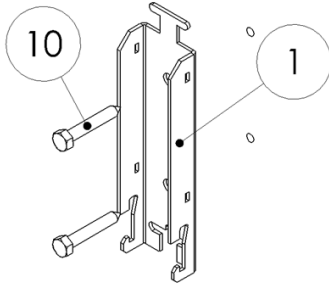
CH-001B/CH-002B

ITEM NO.	DESCRIPTION	QTY.
1	Wall Plate	1
2	Support Arm	1
3	Shelf	1
4	Plastic Plate	1
5	Plastic Top Plate	1
6	Plastic Lower Cover	1
7	Flat Head Screws M6*P1.0*L16	4
8	Plastic Washer	4
9	Nylon Nut M6*P1.0	4
10	Wood Screw	2
11	Wall Plug	2
12	Dry Wall Screw	1

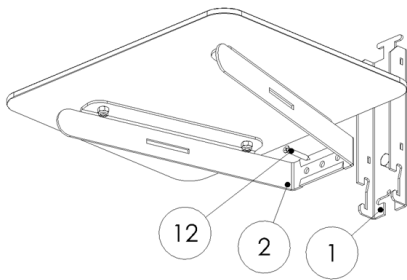




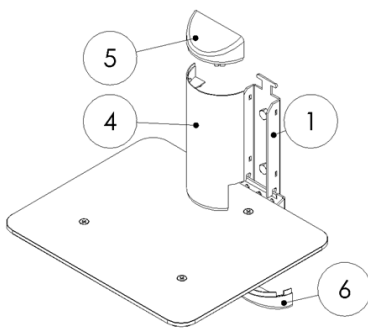
Step 2: Attaching the glass shelf to the support arm



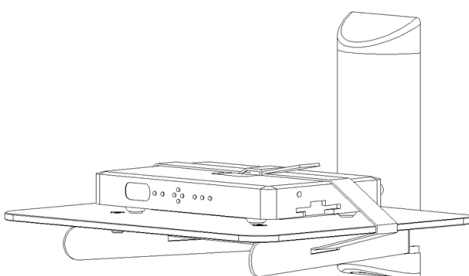
Step 3: Mounting the wall plate to the mounting surface



Step 4: Securing the support arm to the wall plate



Step 5: Attaching the plastic covers



Step 6: Placing the electronic device (Security strap not included)

Step 1

Before starting, lay out all parts to your mount and match them to the parts list provided. Verify that you have all your parts before attempting to assemble the mount.

Step 2

Attach the glass shelf (3) to the support arm (2) using the flat head screws (7), plastic washers (8) and nylon nuts (9).

Step 3

Mark the wall or desired mounting surface in preparation for installation of the wall plate (1). If mounting to wooden studs, pre drill pilot holes using a 7/32" drill bit. Mount the wall plate (1) to the wall using the M8 Lag screws (10). Make sure the wall plate (1) is mounted so the interlocking tab on the wall plate is mounted upwards. If connecting multiple units take the time to mount the remainder of the wall plates (1) so the wall plates interconnect. Wall plugs (11) for concrete wall mounting are included if desired for use. **WARNING: Please verify that your mounting surface will support the combined weight of your mount, mounting hardware, and flat panel. Also verify that the mounting surface is safe to drill through. Please note only mounting hardware for mounting to wooden studs and drywall mounting will be provided with the unit. If mounting to a surface other than above then other hardware will be required. If in doubt or uncertain about any of the above, please contact a professional installer.**

Step 4

Insert the support arm (2) into the wall plate (1). Make sure to pull the support arm completely down when the arm is inserted to make sure the support arm seats properly. You can further secure the support arm by using the drywall screw (12) in the center hole of the support arm (2) if desired.

Step 5

Attach the plastic covers (4), (5) and (6) to the wall plate (1).

Step 6

Place the electronic device on the glass shelf (3). If desired a safety/security strap (VMP-STRAP) can be purchased to further secure the electronic device onto the shelf.



Enjoy Your Mount!

WARNING: The installer of these products must verify that the mount surface, ceiling or wall, will safely support the combined weight of all attached equipment and hardware. Video Mount Products will not be held liable for the improper use or installation of its products.